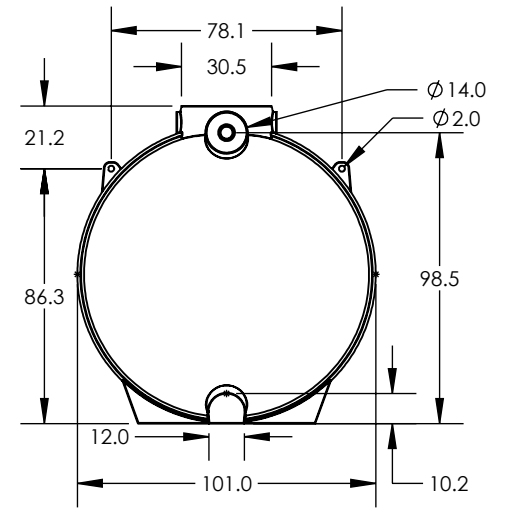
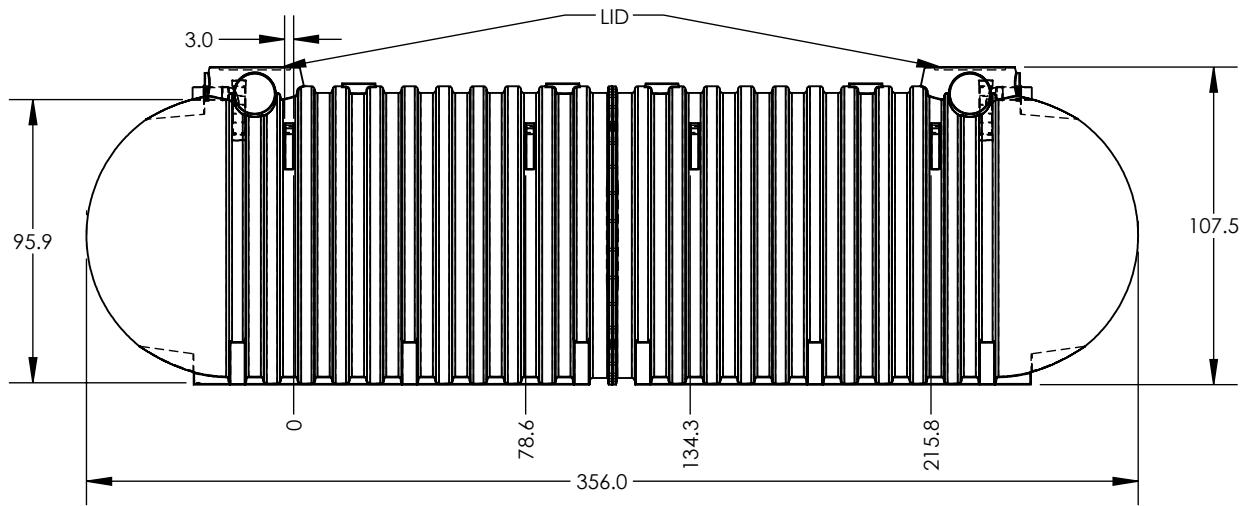


MATERIAL: HDPE  
 MAX TANK CAPACITY: 10343 GALLONS  
 CAPACITY AT 95.9": 10220 GALLONS  
 MAX BURIAL DEPTH: 24"



ALL DIMENSIONS ARE IN INCHES, NOMINAL, & SUBJECT TO CHANGE WITHOUT NOTICE.  
 ALL DIMENSIONS ON ROTATIONAL MOLDED PARTS ARE SUBJECT TO A ± 3% TOLERANCE.

DO NOT SCALE		DRAWN BY	TITLE:		REVISION
STATUS: <b>Released</b>		TJK	<b>10,000 Below Ground Assembly</b>		<b>B</b>
© TANK HOLDING, CORP, 2022				SHEET 1 OF 1	
<small>ALL DIMENSIONS, DESIGNS, AND INFORMATION ON THIS PRINT MUST BE CONSIDERED PROPRIETARY TO TANK HOLDING, CORP. AND MAY NOT BE USED, COPIED, OR DISTRIBUTED WITHOUT WRITTEN PERMISSION OF AN OFFICER (OR HIS AGENT) OF THE FIRM.</small>		<a href="http://www.snydernet.com">www.snydernet.com</a> (402) 467-5221		PART NO. <b>45686</b>	ENG. ID. <b>P020723</b>