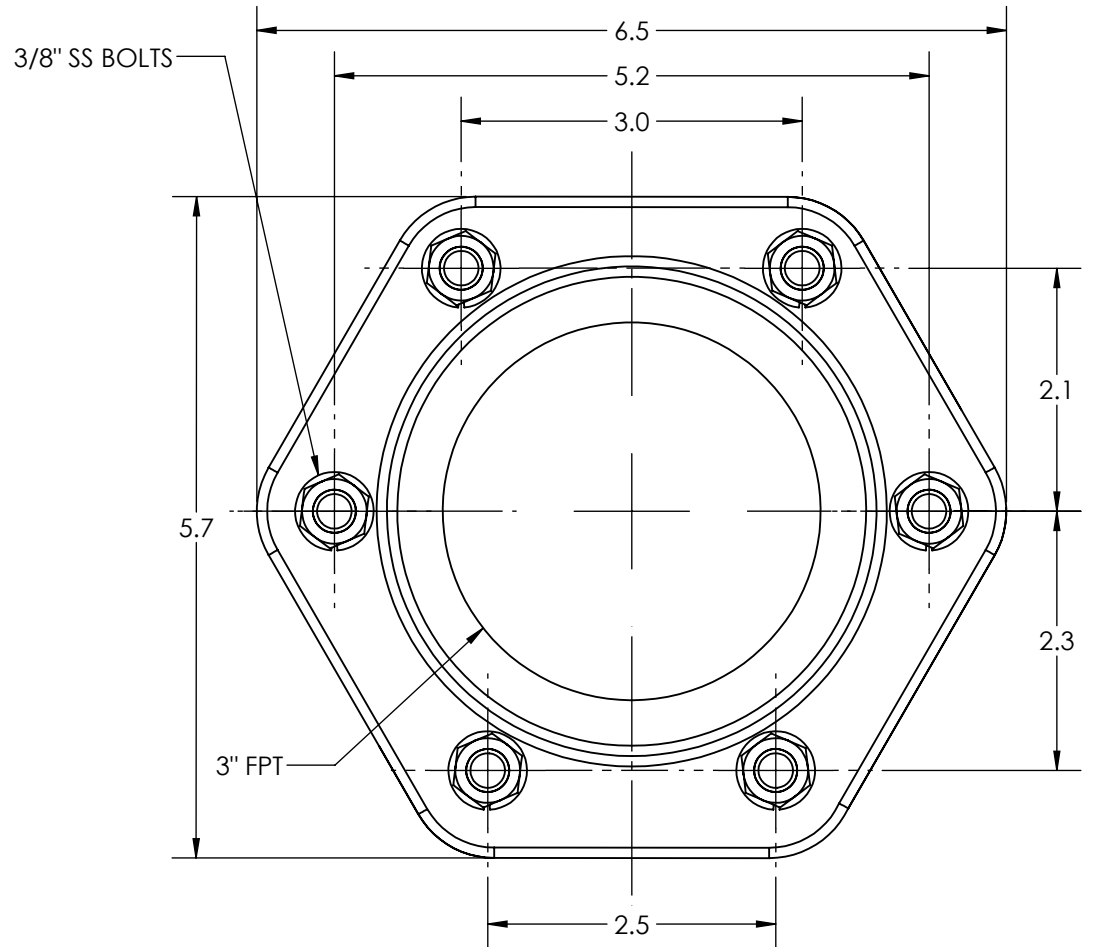
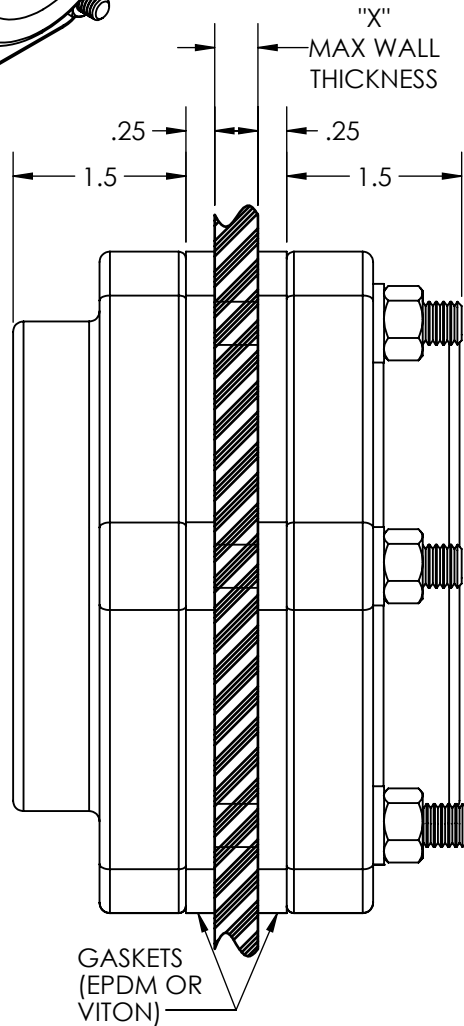


PART NUMBER	GASKET MATERIAL	BOLT LENGTH	DIM. "X"
34100105	EPDM	SHORT	.75"
34701112	VITON	SHORT	.75"
34100135	EPDM	LONG	1.25"
34701489	VITON	LONG	1.25"



***ALL EXTERNAL PIPING MUST BE INDEPENDENTLY SUPPORTED.**
***ONLY BASE FITTINGS TO BE LEFT INSTALLED AT TIME OF SHIPMENT PER SII PROCEDURE.**
***Consult Snyder's Guidelines for Use and Installation prior to delivery.**
 Available on-line at <http://www.snyderindustriestanks.com/Technical>
ALL DIMENSIONS ARE IN INCHES, NOMINAL, & SUBJECT TO CHANGE WITHOUT NOTICE.
ALL DIMENSIONS ON ROTATIONAL MOLDED PARTS ARE SUBJECT TO A ± 3% TOLERANCE.

DO NOT SCALE		TITLE: FTG PP 3IN BLTD		REVISION: A
STATUS: Released				SHEET: 1 OF 1
© TANK HOLDING, CORP, 2025				PART NO.: SEE CHART
<small>ALL DIMENSIONS, DESIGNS, AND INFORMATION ON THIS PRINT MUST BE CONSIDERED PROPRIETARY TO TANK HOLDING, CORP. AND MAY NOT BE USED, COPIED, OR DISTRIBUTED WITHOUT WRITTEN PERMISSION OF AN OFFICER (OR HIS AGENT) OF THE FIRM.</small>		www.tankholding.com		