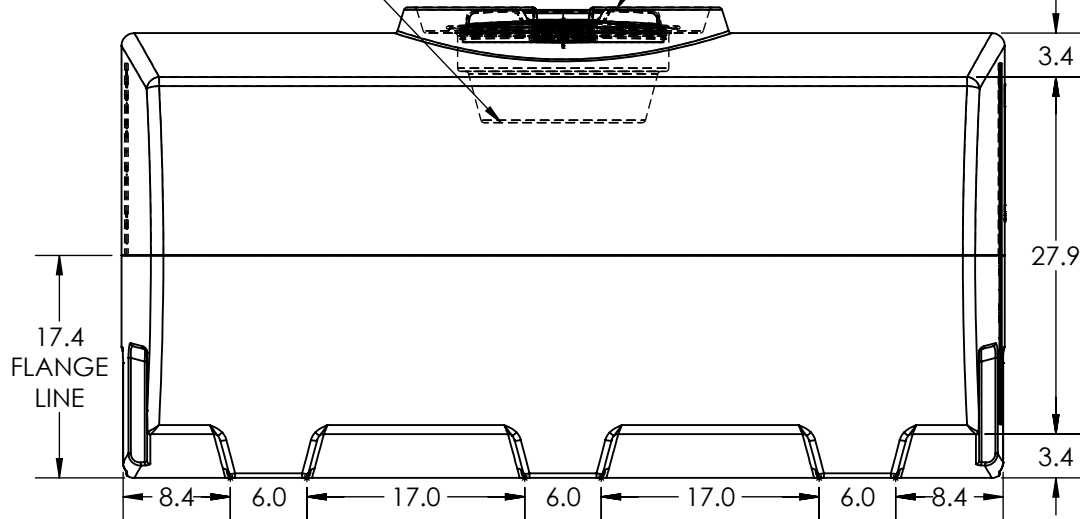
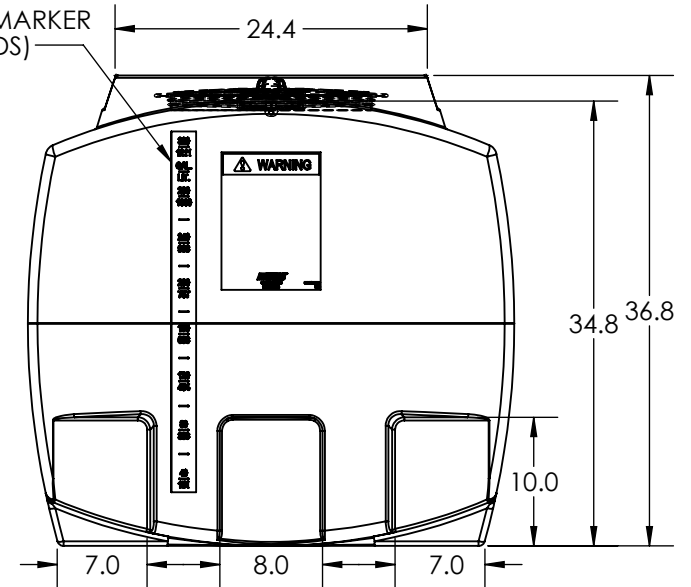


INTERNAL SPLASH GUARD w/12" ACCESS

18" PE THREADED/VENTED MANWAY w/ 15" ACCESS



GALLON MARKER (BOTH ENDS)



**\*ALL EXTERNAL PIPING MUST BE INDEPENDENTLY SUPPORTED.**  
**\*ONLY BASE FITTINGS TO BE LEFT INSTALLED AT TIME OF SHIPMENT PER SII PROCEDURE.**  
**\*Consult Snyder's Guidelines for Use and Installation prior to delivery.**  
 Available on-line at <http://www.snyderindustriestanks.com/Technical>  
**ALL DIMENSIONS ARE IN INCHES, NOMINAL, & SUBJECT TO CHANGE WITHOUT NOTICE.**  
**ALL DIMENSIONS ON ROTATIONAL MOLDED PARTS ARE SUBJECT TO A ± 3% TOLERANCE.**

DO NOT SCALE	
STATUS:	<b>Released</b>
© TANK HOLDING, CORP, 2025	
ALL DIMENSIONS, DESIGNS, AND INFORMATION ON THIS PRINT MUST BE CONSIDERED PROPRIETARY TO TANK HOLDING, CORP. AND MAY NOT BE USED, COPIED, OR DISTRIBUTED WITHOUT WRITTEN PERMISSION OF AN OFFICER (OR HIS AGENT) OF THE FIRM.	

[www.tankholding.com](http://www.tankholding.com)

TITLE:	<b>ASM TK 325 PCO</b>	REVISION	<b>A</b>
PART NO.	<b>172000N__01</b>	SHEET	1 OF 1
ENG. ID.	<b>D013509</b>		