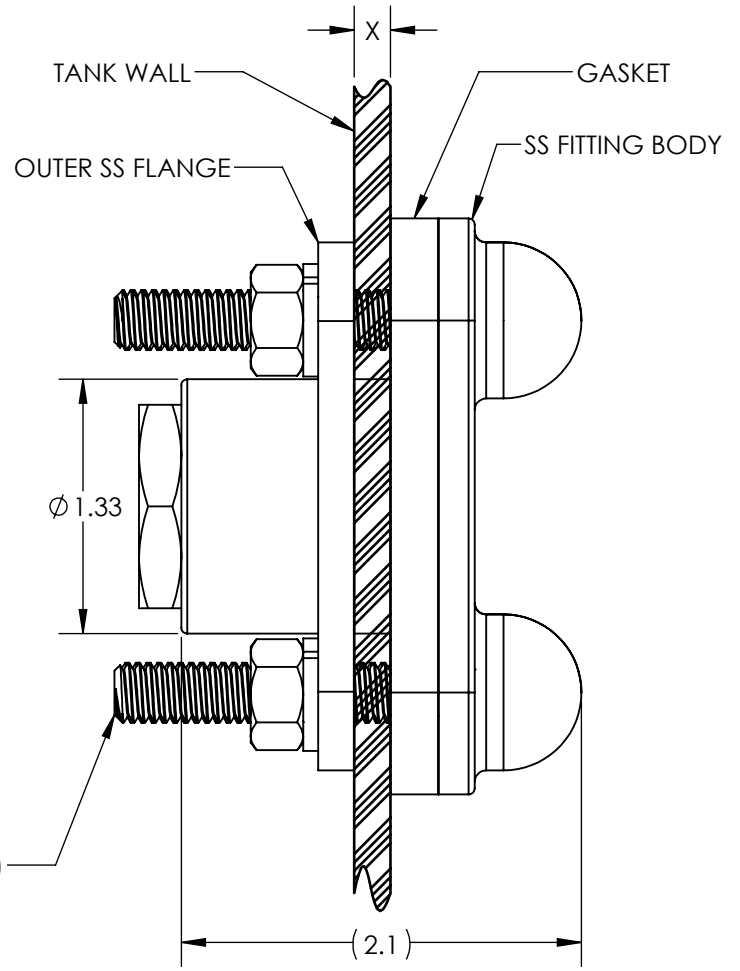
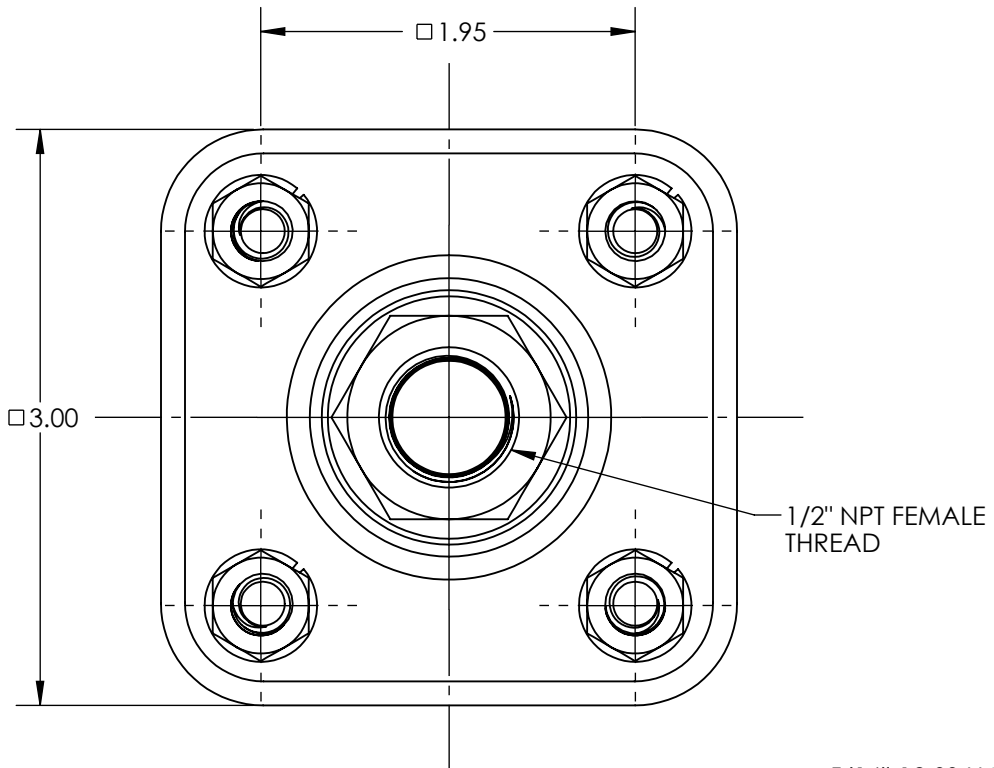
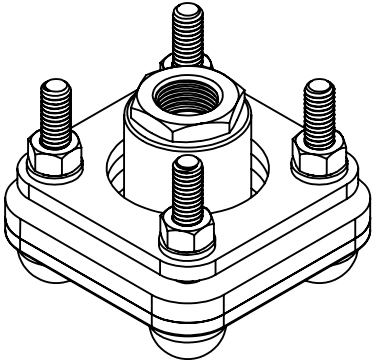


PART NUMBER	GASKET MATERIAL	BOLT LENGTH	DIMENSION "X" MAX WALL THICKNESS
34701586	EPDM	SHORT	.8125"
34701587	VITON	SHORT	.8125"
34702408	EPDM	LONG	2.1875"
34702759	AFLAS	SHORT	.8125"



***ALL EXTERNAL PIPING MUST BE INDEPENDENTLY SUPPORTED.**
***ONLY BASE FITTINGS TO BE LEFT INSTALLED AT TIME OF SHIPMENT PER THC PROCEDURE.**
ALL DIMENSIONS ARE IN INCHES, NOMINAL, & SUBJECT TO CHANGE WITHOUT NOTICE.
ALL DIMENSIONS ON ROTATIONAL MOLDED PARTS ARE SUBJECT TO A ± 3% TOLERANCE.

DO NOT SCALE	DRAWN BY	 A BRAND OF TANK HOLDING CORP.	TITLE:	REVISION
STATUS: Released	ECH		ASM 1/2IN BLTD FTG 316SS	A
© TANK HOLDING, CORP, 2025			PART NO.	SHEET
<small>ALL DIMENSIONS, DESIGNS, AND INFORMATION ON THIS PRINT MUST BE CONSIDERED PROPRIETARY TO TANK HOLDING, CORP. AND MAY NOT BE USED, COPIED, OR DISTRIBUTED WITHOUT WRITTEN PERMISSION OF AN OFFICER (OR HIS AGENT) OF THE FIRM.</small>		www.snydermet.com	SEE CHART	1 OF 1
			ENG. ID.	
			D013499	