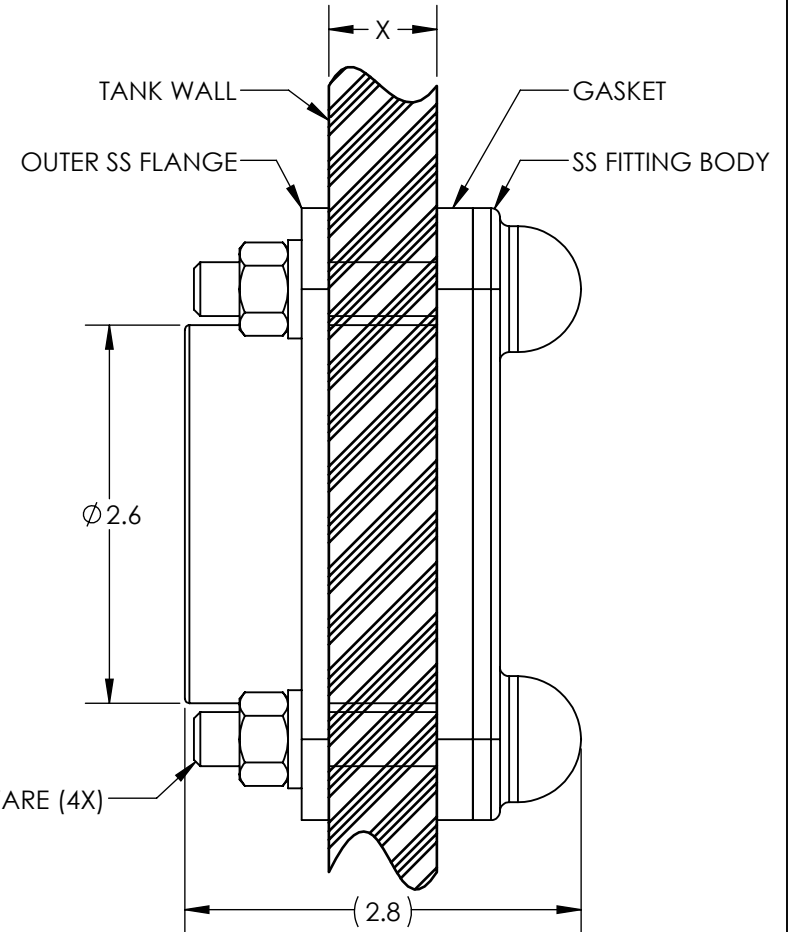


2" NPT FEMALE
THREAD X THREAD

3/8"-16 SS HARDWARE (4X)

PART NUMBER	GASKET MATERIAL	BOLT LENGTH	DIMENSION "X" MAX WALL THICKNESS
34701596	EPDM	SHORT	.8125"
34701597	VITON	SHORT	.8125"
34702062	VITON	LONG	3.3125"
34702226	EPDM	LONG	3.3125"
34702762	AFLAS	SHORT	.8125"
34703039	FDA EPDM	SHORT	.8125"



***ALL EXTERNAL PIPING MUST BE INDEPENDENTLY SUPPORTED.**
***ONLY BASE FITTINGS TO BE LEFT INSTALLED AT TIME OF SHIPMENT PER THC PROCEDURE.**
ALL DIMENSIONS ARE IN INCHES, NOMINAL, & SUBJECT TO CHANGE WITHOUT NOTICE.
ALL DIMENSIONS ON ROTATIONAL MOLDED PARTS ARE SUBJECT TO A ± 3% TOLERANCE.

DO NOT SCALE
STATUS: Released
© TANK HOLDING, CORP, 2025
ALL DIMENSIONS, DESIGNS, AND INFORMATION ON THIS PRINT MUST BE CONSIDERED PROPRIETARY TO TANK HOLDING, CORP. AND MAY NOT BE USED, COPIED, OR DISTRIBUTED WITHOUT WRITTEN PERMISSION OF AN OFFICER (OR HIS AGENT) OF THE FIRM.



TITLE: ASM 2IN BLTD FTG 316SS	REVISION: A
PART NO. SEE CHART	SHEET 1 OF 1
ENG. ID. D013497	