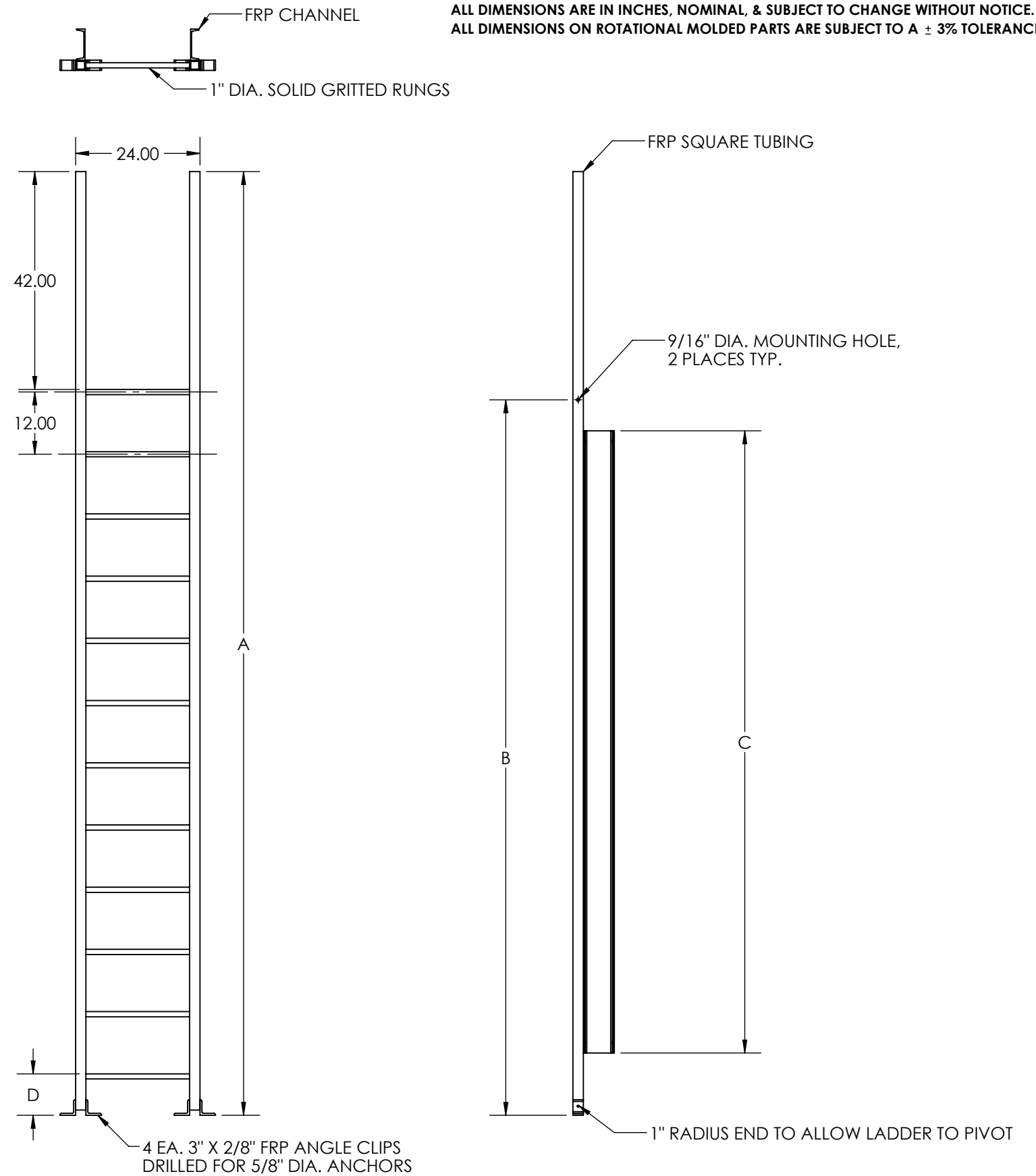
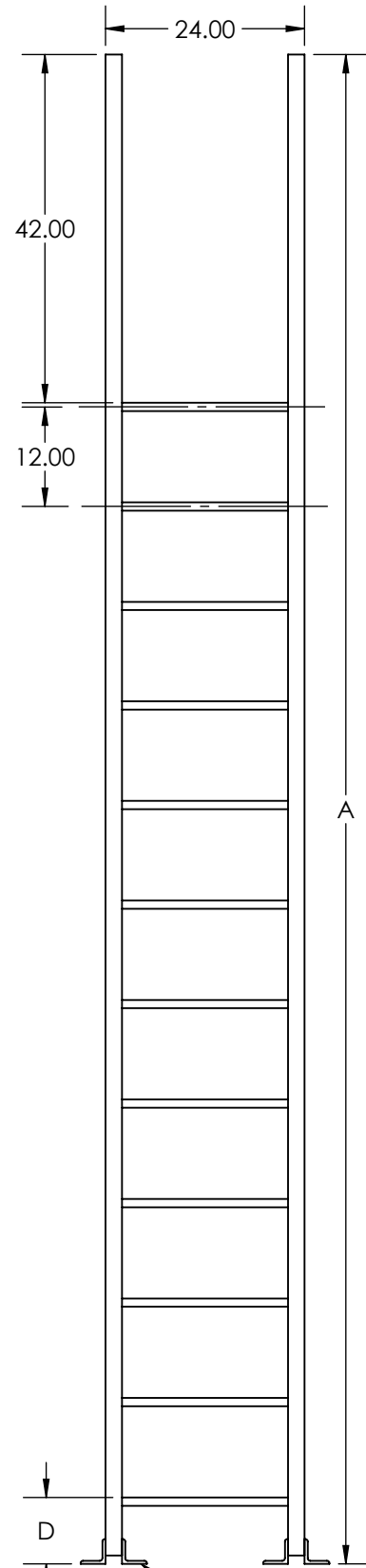
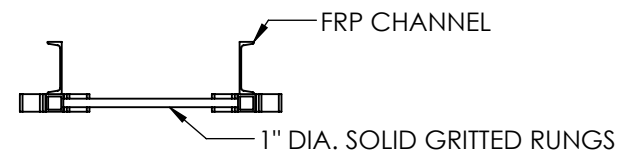


TANK SIZE	TANK P/N	ATTACHMENT P/N	LADDER P/N	A	B	C	D
1100 X 64	183XXX	34701202	33900237	126.0	85.5	74.0	12
1550 X 64	184XXX	34701202	33900355	162.0	118.0	102.0	12
2000 X 90	505XXX	34700397	33900237	126.0	85.5	74.0	8
2000 X 96	50503	34700397	33900560	124.0	77.5	60.0	10
2500 X 90	509XXX	34700397	33900238	145.0	105.0	88.0	7
2500 X 96	50903	34700397	33900311	137.0	93.0	76.0	11
3000 X 90	513XXX	34700397	33900239	166.0	122.0	112.0	4
3000CB X 90	5150000	34700397	33900439	208.0	164.0	146.0	10
3000 X 96	H741XX	34700397	33900001	150.0	106.0	88.0	12
3000 X 102	741XXX	34700397	33900311	137.0	93.0	76.0	11
3900 X 90	519XXX	34700397	33900241	202.0	158.0	148.0	4
4100 X 90CB	5180000	34700397	33900245	258.0	214.0	196.0	12
4100 X 102	736XXX	34700397	33900402	169.0	124.0	108.0	7
4300 X 120	H74201	34700397	33900247	138.0	97.0	76.0	12
4400 X 90	521XXX	34700397	33900242	219.0	178.0	160.0	9
4400CB X 90	520000	34700397	33900440	258.0	215.0	197.0	12
4400 X 120	820XXX	34700397	33900247	138.0	97.0	76.0	12
4500 X 102	742XXX	34700397	33900312	182.0	138.0	120.0	8
4500 X 144	70004	34700397	33900237	126.0	85.5	74.0	8
4600 X 120	70005	34700397	33900109	156.0	112.0	100.0	6
4900 X 90	548XXX	34700397	33900243	238.0	197.0	184.0	4
5000 X 102	10021XX	34700397	33900423	194.0	149.0	134.0	8
5500 X 90	702XXX	34700397	33900245	258.0	214.0	196.0	12
5500CB X 90	7040000	34700397	33900438	292.0	251.0	235.0	10
5500 X 120	700XXX	34700397	33900246	171.0	126.0	108.0	9
5600 X 142	525XXX	34700397	33900247	138.0	97.0	76.0	12
6000 X 102	743XXX	34700397	33900313	227.0	183.0	165.0	5
6000CB X 142	528XXX	34700397	33900357	198.0	154.0	138.0	12
6200 X 120	822XXX	34700397	33900362	174.0	133.0	114.0	12
6500CB X 90	718XXX	34700397	33900435	330.0	289.0	276.0	12
6500 X 120	714XXX	34700397	33900250	192.0	147.0	132.0	6
6600 X 120	53004	34700397	33900357	198.0	154.0	138.0	12
7000 X 142	530XXX	34700397	33900251	162.0	117.0	100.0	12
7400CB X 142	53201	34700397	33900242	219.0	178.0	160.0	9
7500 X 102	744XXX	34700397	33900314	270.0	226.0	208.0	12
7900 X 120	737XXX	34700397	33900425	217.0	173.0	156.0	7
8000 X 120	53006	34700397	33900254	222.0	181.0	170.0	12
8000 X 142	53203	34700397	33900312	182.0	138.0	120.0	8
8500 X 120	740XXX	34700397	33900364	233.0	188.0	171.0	11
8750 X 142	536XXX	34700397	33900252	186.0	141.0	124.0	12
9500 X 120	745XXX	34700397	33900365	254.0	209.0	198.0	8
10500 X 142	533XXX	34700397	33900400	208.0	164.0	146.0	10
10500 X 142.5	53303X	34700397	33900425	217.0	173.0	156.0	7
11500CB X 142	53401XX	34700397	33900575	274.0	228.0	210.0	4
12500 X 142	535XXX	34700397	33900446	234.0	193.0	174.0	12
13800 X 165	30301	34702874 & 34700397	33900400	208.0	164.0	146.0	10
15000 X 142	537XXX	34700397	33900255	270.0	226.0	209.0	12
16500 X 142	538XXX	34700397	33900573	294.0	248.0	233.0	12
18800 X 165	30300	34702874 & 34700397	33900440	258.0	215.0	197.0	12

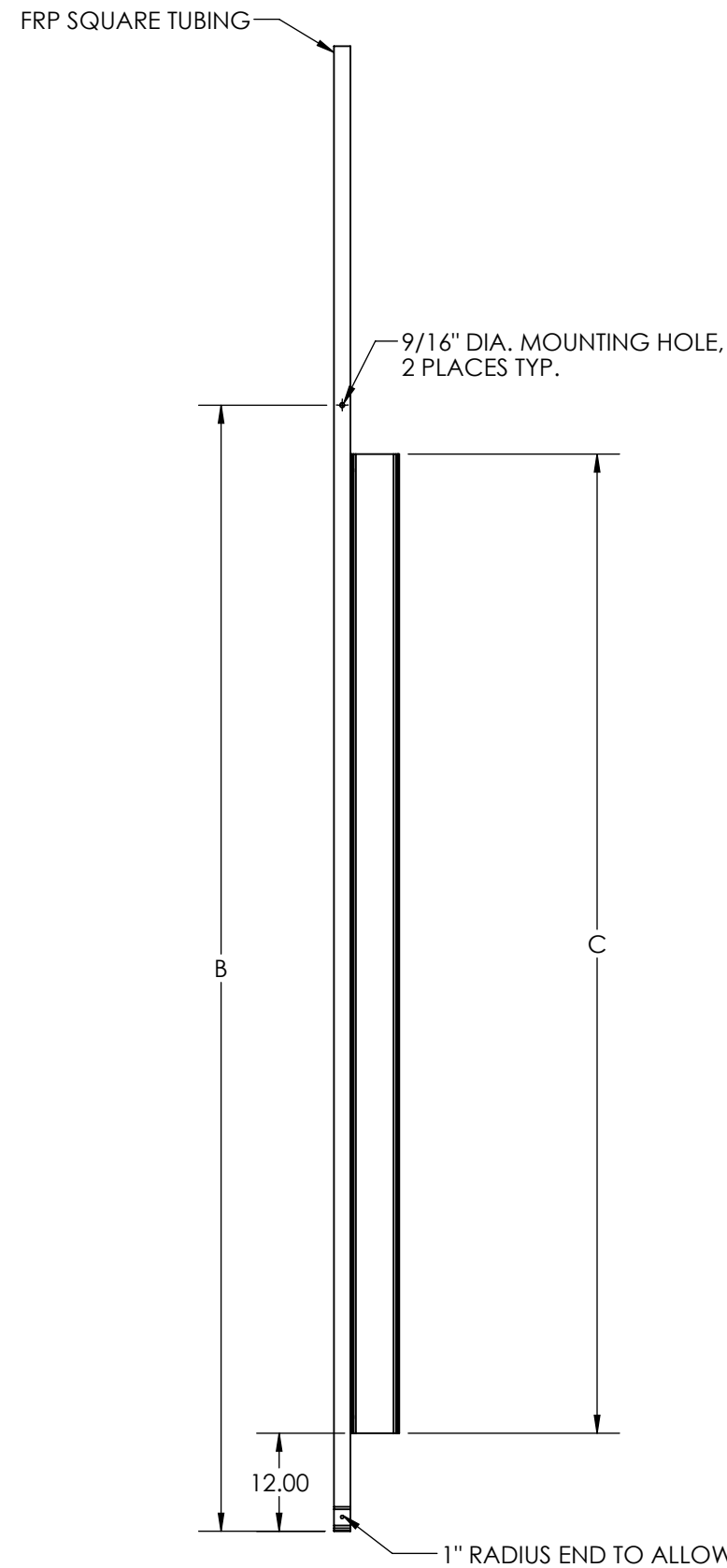
\*ALL EXTERNAL PIPING MUST BE INDEPENDENTLY SUPPORTED.  
 \*ONLY BASE FITTINGS TO BE LEFT INSTALLED AT TIME OF SHIPMENT PER THC PROCEDURE.  
 ALL DIMENSIONS ARE IN INCHES, NOMINAL, & SUBJECT TO CHANGE WITHOUT NOTICE.  
 ALL DIMENSIONS ON ROTATIONAL MOLDED PARTS ARE SUBJECT TO A ± 3% TOLERANCE.



DO NOT SCALE		 (402) 467-5221 <a href="http://www.snydemet.com">www.snydemet.com</a>	TITLE:	REVISION
STATUS:	<b>Released</b>		<b>FRP LADDER FOR SINGLE WALL TANKS - VNT</b>	<b>A</b>
© TANK HOLDING, CORP, 2026			PART NO.	ENG. ID.
ALL DIMENSIONS, DESIGNS, AND INFORMATION ON THIS PRINT MUST BE CONSIDERED PROPRIETARY TO TANK HOLDING, CORP. AND MAY NOT BE REPRODUCED, COPIED, OR DISTRIBUTED WITHOUT WRITTEN PERMISSION OF AN OFFICER (OR HIS AGENT) OF THE FIRM.			<b>SEE CHART</b>	<b>D013014</b>
			SHEET 1 OF 2	



4 EA. 3" X 2/8" FRP ANGLE CLIPS DRILLED FOR 5/8" DIA. ANCHORS



TANK SIZE	TANK P/N	ATTACHMENT P/N	LADDER P/N	A	B	C	D
550V CAPTOR	504XXX	34700397	33900421	102.0	58.0	36.0	12
1000 VNT/DCT	59901	34700397	33900421	102.0	58.0	36.0	12
1100V CAPTOR	547XXX	34700397	33900361	145.0	100.0	84.0	7
1550V CAPTOR	549XXX	34700397	33900362	174.0	133.0	114.0	12
2000V CAPTOR	557XXX	34700397	33900354	144.0	99.0	84.0	6
2500V CAPTOR	558XXX	34700397	33900355	162.0	118.0	102.0	12
3000V CAPTOR	559XXX	34700397	33900356	182.0	138.0	120.0	8
3500V CAPTOR	560XXX	34700397	33900357	198.0	154.0	138.0	12
4000V CAPTOR	561XXX	34700397	33900358	218.0	174.0	156.0	8
4500V CAPTOR	562XXX	34700397	33900359	234.0	193.0	174.0	10
5000V CAPTOR	563XXX	34700397	33900360	256.0	212.0	196.0	10
5500V CAPTOR	566XXX	34700397	33900367	210.0	166.0	148.0	12
6500V CAPTOR	567XXX	34700397	33900368	240.0	196.0	178.0	6
8700V CAPTOR	10064	34700397	33900359	234.0	193.0	174.0	12
10,000V CAPTOR	10066	34700397	33900456	266.0	221.0	203.0	8
12,500V CAPTOR	10311	34700397	33900572	314.0	266.0	248.0	8

**\*ALL EXTERNAL PIPING MUST BE INDEPENDENTLY SUPPORTED.**  
**\*ONLY BASE FITTINGS TO BE LEFT INSTALLED AT TIME OF SHIPMENT PER THC PROCEDURE.**  
**ALL DIMENSIONS ARE IN INCHES, NOMINAL, & SUBJECT TO CHANGE WITHOUT NOTICE.**  
**ALL DIMENSIONS ON ROTATIONAL MOLDED PARTS ARE SUBJECT TO A ± 3% TOLERANCE.**

DO NOT SCALE		<p>(402) 467-5221 www.snydemet.com</p>	<b>FRP LADDER FOR DOUBLE WALL TANKS - CCS/DCT</b>	REVISION
STATUS: <b>Released</b>	© TANK HOLDING, CORP, 2026			A
<small>ALL DIMENSIONS, DESIGNS, AND INFORMATION ON THIS PRINT MUST BE CONSIDERED PROPRIETARY TO TANK HOLDING, CORP. AND MAY NOT BE USED, COPIED, OR DISTRIBUTED WITHOUT WRITTEN PERMISSION OF AN OFFICER (OR HIS AGENT) OF THE FIRM.</small>		<small>SEE CHART</small>	<small>ENG. ID. D013014</small>	<small>SHEET 2 OF 2</small>