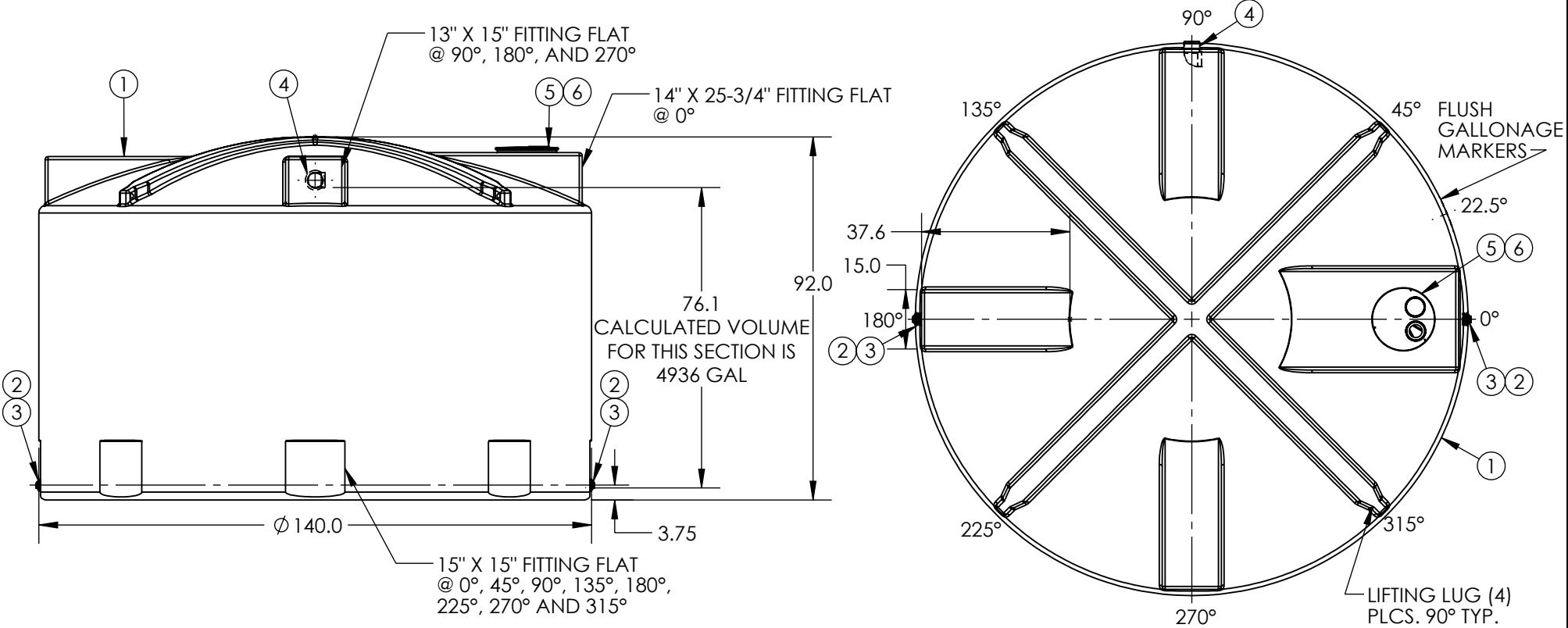


PART NUMBER	DESCRIPTION
30824	BLACK
30826	MOCHA
30827	DARK GREEN
30825	DARK BROWN



6	1	64321	STRAINER COVER SML-HOLE PE/BLK
5	1	64320	STRAINER COVER SML PE/BLK
4	1	39025	KIT TK OUTLET OVERFLOW 4IN
3	2	60427	RFTG 1IN BH PP/EPDM
2	2	62257	PLUG 1IN NPT BLK PP
1	1	30322PM	5000 X 140 DIA RHWATER P

ITEM NO.	QTY.	PART NUMBER	DESCRIPTION
DO NOT SCALE		DRAWN BY	TITLE:
Released		SB	5000 RHWATER P
© TANK HOLDING, CORP, 2024			REVISION
ALL DIMENSIONS, DESIGNS, AND INFORMATION ON THIS PRINT MUST BE CONSIDERED PROPRIETARY TO TANK HOLDING, CORP. AND MAY NOT BE USED, COPIED, OR DISTRIBUTED WITHOUT WRITTEN PERMISSION OF AN OFFICER (OR HIS AGENT) OF THE FIRM.		A BRAND OF TANK HOLDING CORP.	A
1-866-920-TANK www.bushmanusa.com		PART NO.	SHEET
SEE CHART		ENG. ID.	1 OF 1
		D012888	

\* CALCULATED VOLUME BASED ON A 3D MODEL AND NOMINAL DIMENSIONS  
 \* ALL EXTERNAL PIPING MUST BE INDEPENDENTLY SUPPORTED.  
 \* ONLY BASE FITTINGS TO BE LEFT INSTALLED AT TIME OF SHIPMENT PER SII PROCEDURE.  
 ALL DIMENSIONS ARE IN INCHES, NOMINAL, & SUBJECT TO CHANGE WITHOUT NOTICE.  
 ALL DIMENSIONS ON ROTATIONAL MOLDED PARTS ARE SUBJECT TO A ± 3% TOLERANCE.