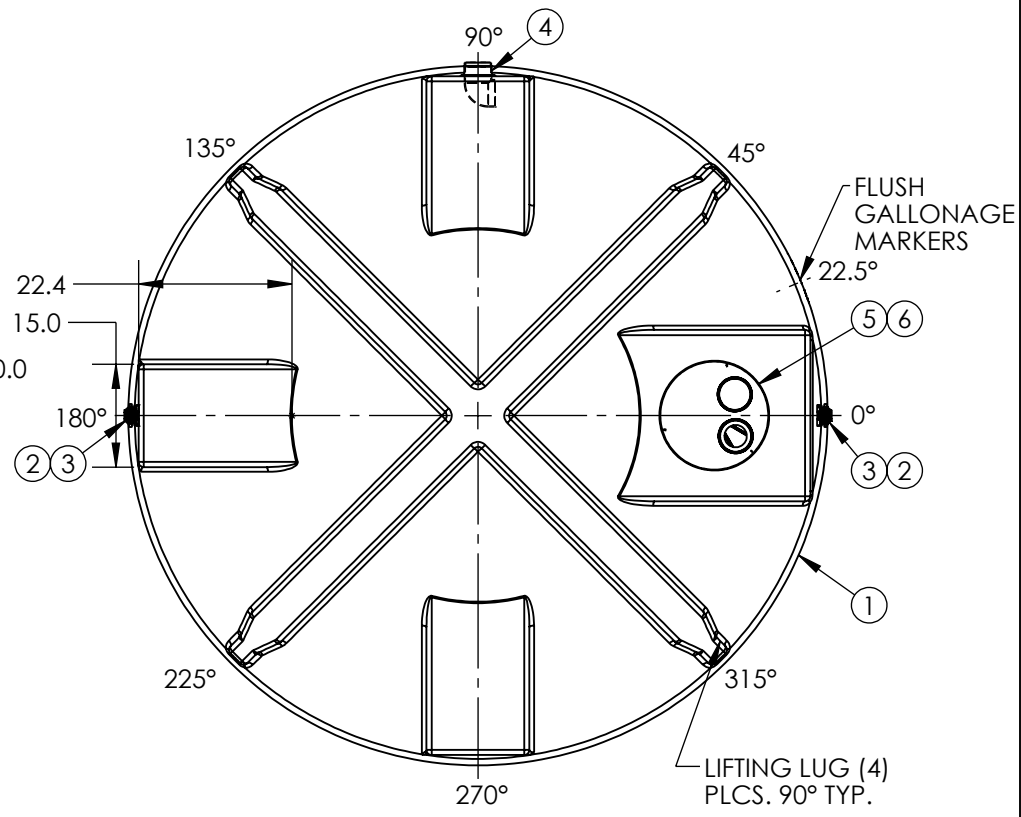
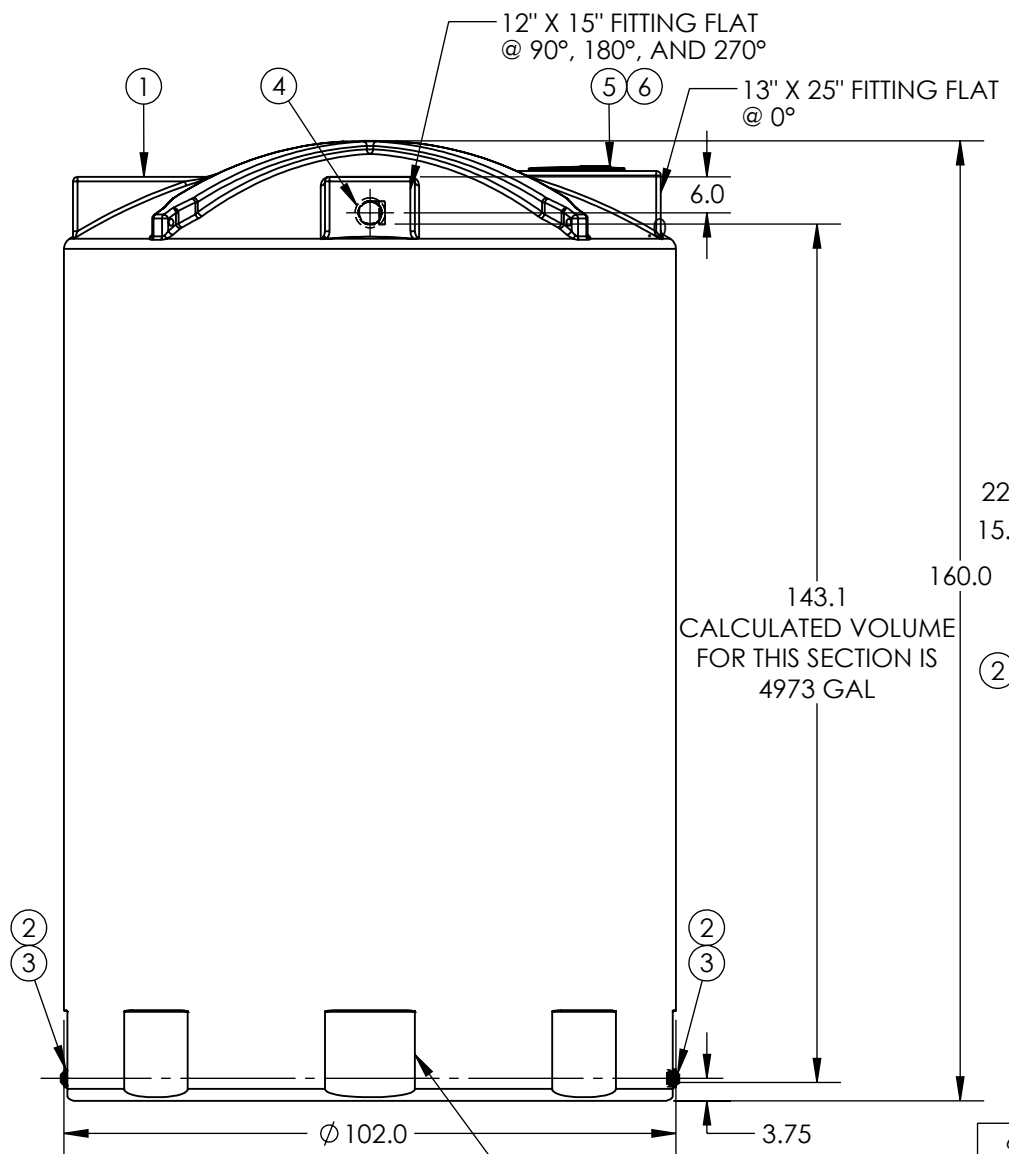


PART NUMBER	DESCRIPTION
30436	BLACK
30719	MOCHA
30438	DARK GREEN
30718	DARK BROWN



143.1  
CALCULATED VOLUME  
FOR THIS SECTION IS  
4973 GAL

15" X 15" FITTING FLAT  
@ 0°, 45°, 90°, 135°, 180°,  
225°, 270° AND 315°

6	1	64321	STRAINER COVER SML-HOLE PE/BLK
5	1	64320	STRAINER COVER SML PE/BLK
4	1	39025	KIT TK OUTLET OVERFLOW 4IN
3	2	60427	RFTG 1IN BH PP/EPDM
2	2	62257	PLUG 1IN NPT BLK PP
1	1	30322PM	TK 5000 X 102 P

ITEM NO.	QTY.	PART NUMBER	DESCRIPTION
DO NOT SCALE		DRAWN BY	REVISION
STATUS: Released		SB	A
© TANK HOLDING, CORP, 2024			TITLE: 5000 RHWATER P
			SHEET 1 OF 1
PART NO. SEE CHART		ENG. ID. D012886	

\* CALCULATED VOLUME BASED ON A 3D MODEL AND NOMINAL DIMENSIONS  
 \* ALL EXTERNAL PIPING MUST BE INDEPENDENTLY SUPPORTED.  
 \* ONLY BASE FITTINGS TO BE LEFT INSTALLED AT TIME OF SHIPMENT PER SII PROCEDURE.  
 ALL DIMENSIONS ARE IN INCHES, NOMINAL, & SUBJECT TO CHANGE WITHOUT NOTICE.  
 ALL DIMENSIONS ON ROTATIONAL MOLDED PARTS ARE SUBJECT TO A ± 3% TOLERANCE.

ALL DIMENSIONS, DESIGNS, AND INFORMATION ON THIS PRINT MUST BE CONSIDERED PROPRIETARY TO TANK HOLDING, CORP. AND MAY NOT BE USED, COPIED, OR DISTRIBUTED WITHOUT WRITTEN PERMISSION OF AN OFFICER (OR HIS AGENT) OF THE FIRM.  
 1-866-920-TANK  
[www.bushmanusa.com](http://www.bushmanusa.com)