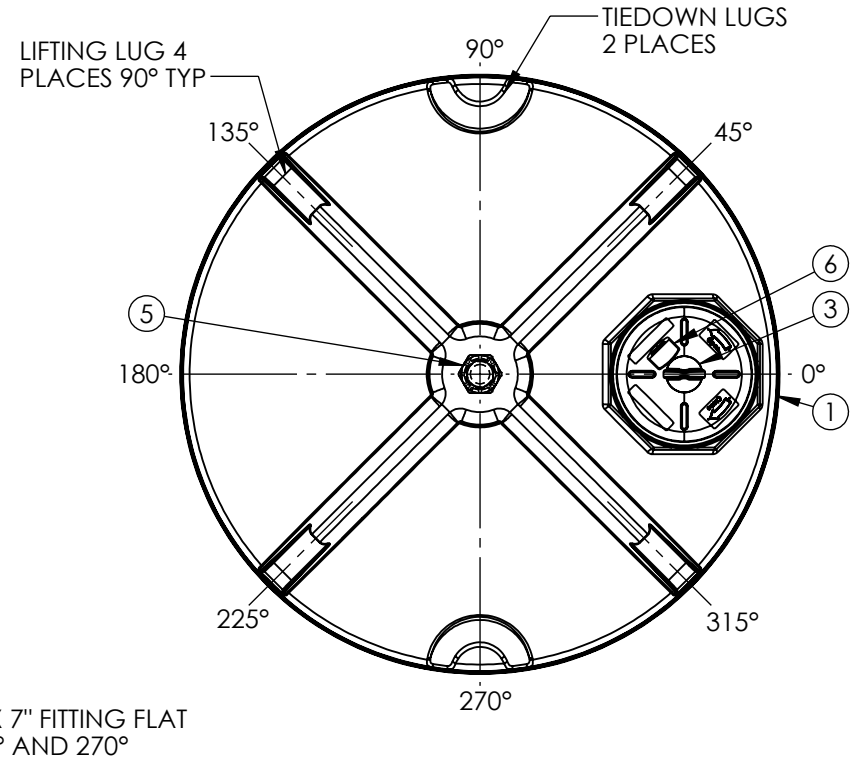
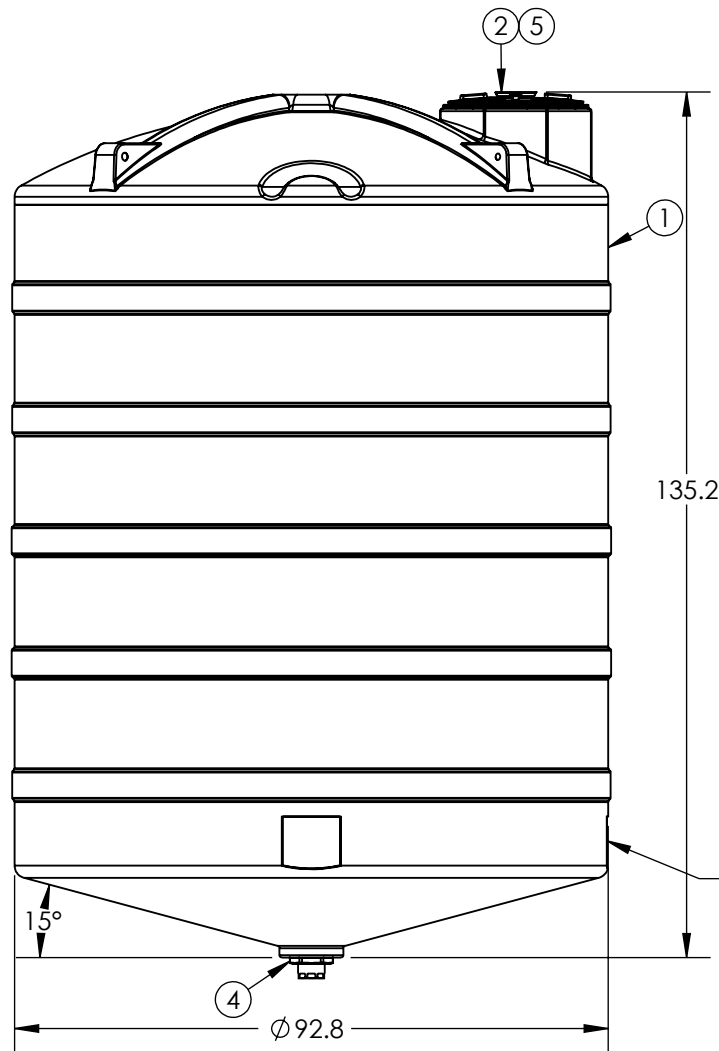


PART NUMBER	
32251	NAT 1.5
32253	NAT 1.9



5	1	61848	DECAL AG WARNING - LARGE
4	1	62299	FTG PP 3IN BH EPDM TXT
3	8	35200018	SCREW SS #10 X 1IN CSUNK PHIL ST
2	1	64448	MANWAY 20IN W/VENT R
1	1	30427RP	TK 3000 X 91 CB15VDT
ITEM NO.	QTY.	PART NUMBER	DESCRIPTION
DO NOT SCALE		DRAWN BY	TITLE:
Released		SB	3000 15 DEG CB R WF
© TANK HOLDING, CORP, 2023		 A BRAND OF TANK HOLDING CORP.	REVISION
ALL DIMENSIONS, DESIGNS, AND INFORMATION ON THIS PRINT MUST BE CONSIDERED PROPRIETARY TO TANK HOLDING, CORP. AND MAY NOT BE USED, COPIED, OR DISTRIBUTED WITHOUT WRITTEN PERMISSION OF AN OFFICER (OR HIS AGENT) OF THE FIRM.			A
		(402) 467-5221 www.snydermet.com	SHEET 1 OF 1
		PART NO.	ENG. ID.
		SEE CHART	D012795

*ALL EXTERNAL PIPING MUST BE INDEPENDENTLY SUPPORTED.
 *ONLY BASE FITTINGS TO BE LEFT INSTALLED AT TIME OF SHIPMENT PER SII PROCEDURE.
 *TANKS ORDERED WITH FOAM INSULATION WILL HAVE AN INCREASED DIAMETER OF 4-6 INCHES.
 *Consult Snyder's Guidelines for Use and Installation prior to delivery.
 Available on-line at <http://www.snyderindustriestanks.com/Technical>

ALL DIMENSIONS ARE IN INCHES, NOMINAL, & SUBJECT TO CHANGE WITHOUT NOTICE.
 ALL DIMENSIONS ON ROTATIONAL MOLDED PARTS ARE SUBJECT TO A ± 3% TOLERANCE.