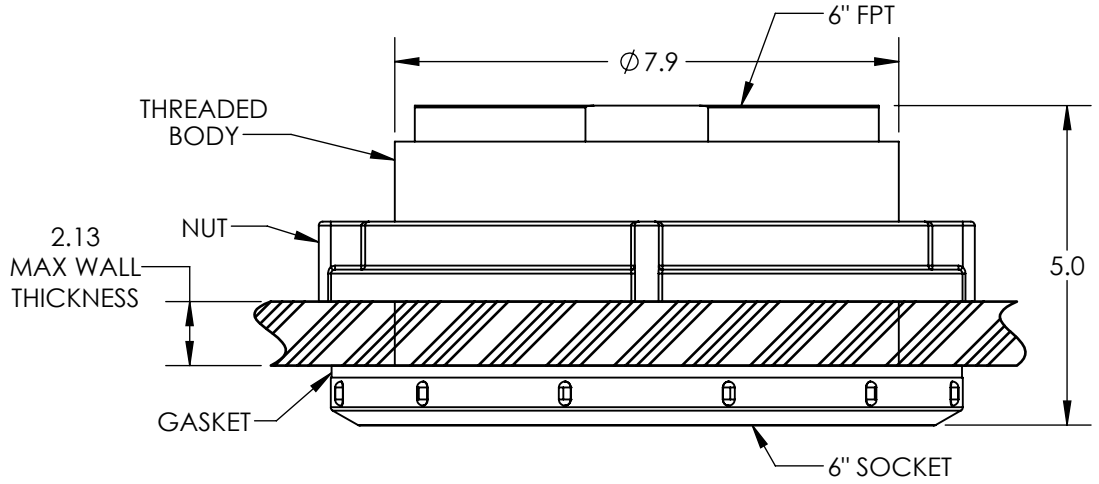
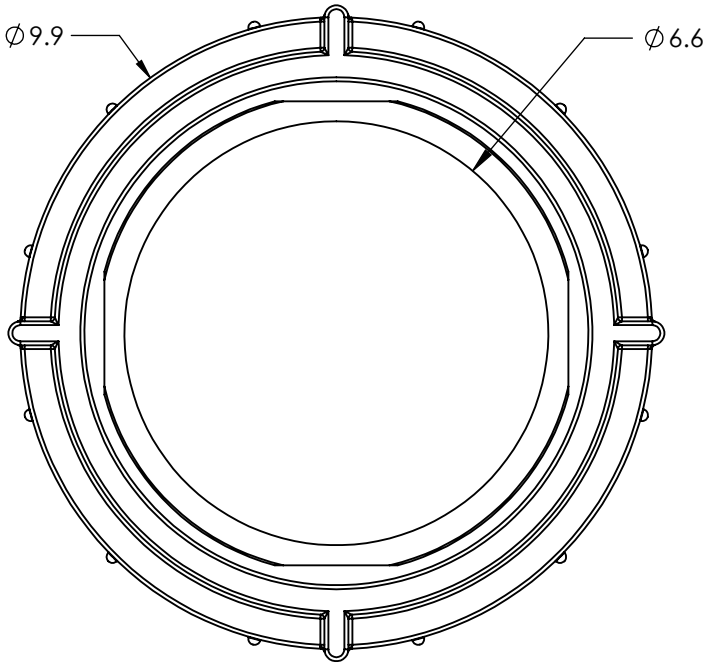


MATERIAL	EPDM	VITON	STYLE
PVC	34200330	34701166	SOCxTHD
CPVC	34400331	34701167	SOCxTHD



\*ALL EXTERNAL PIPING MUST BE INDEPENDENTLY SUPPORTED.  
 \*ONLY BASE FITTINGS TO BE LEFT INSTALLED AT TIME OF SHIPMENT PER SII PROCEDURE.  
 \*TANKS ORDERED WITH FOAM INSULATION WILL HAVE AN INCREASED DIAMETER OF 4-6 INCHES.  
 \*Consult Snyder's Guidelines for Use and Installation prior to delivery.  
 Available on-line at <http://www.snyderindustriestanks.com/Technical>

ALL DIMENSIONS ARE IN INCHES, NOMINAL, & SUBJECT TO CHANGE WITHOUT NOTICE.  
 ALL DIMENSIONS ON ROTATIONAL MOLDED PARTS ARE SUBJECT TO A ± 3% TOLERANCE.

DO NOT SCALE	DRAWN BY	 <b>SNYDER INDUSTRIES</b> A BRAND OF TANK HOLDING CORP.	TITLE:	REVISION
STATUS: <b>Released</b>	IGG		<b>6" POLY BULKHEAD FITTING</b>	<b>A</b>
© TANK HOLDING, CORP, 2022			PART NO.	SHEET
<small>ALL DIMENSIONS, DESIGNS, AND INFORMATION ON THIS PRINT MUST BE CONSIDERED PROPRIETARY TO TANK HOLDING, CORP. AND MAY NOT BE USED, COPIED, OR DISTRIBUTED WITHOUT WRITTEN PERMISSION OF AN OFFICER (OR HIS AGENT) OF THE FIRM.</small>		(402) 467-5221 <a href="http://www.snyder.net">www.snyder.net</a>	SEE CHART	1 OF 1
			ENG. ID.	D012041