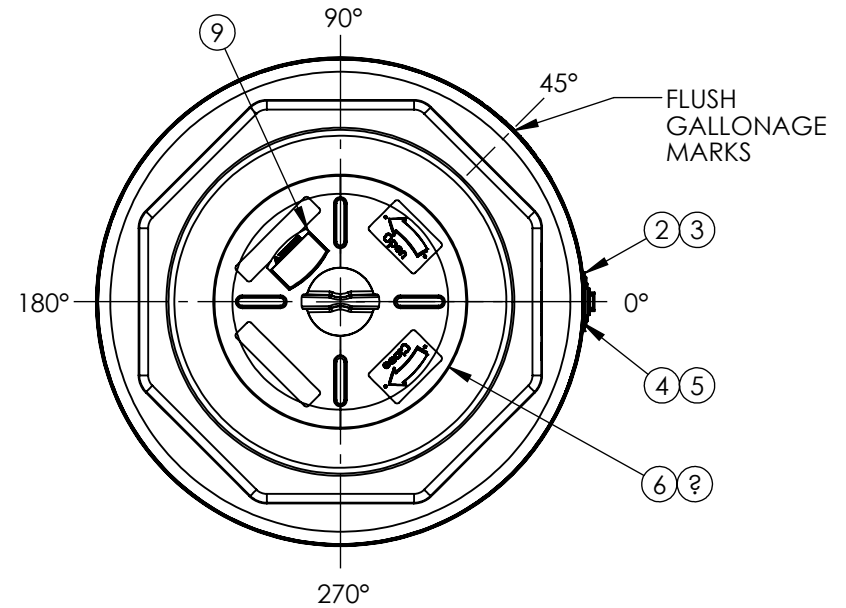
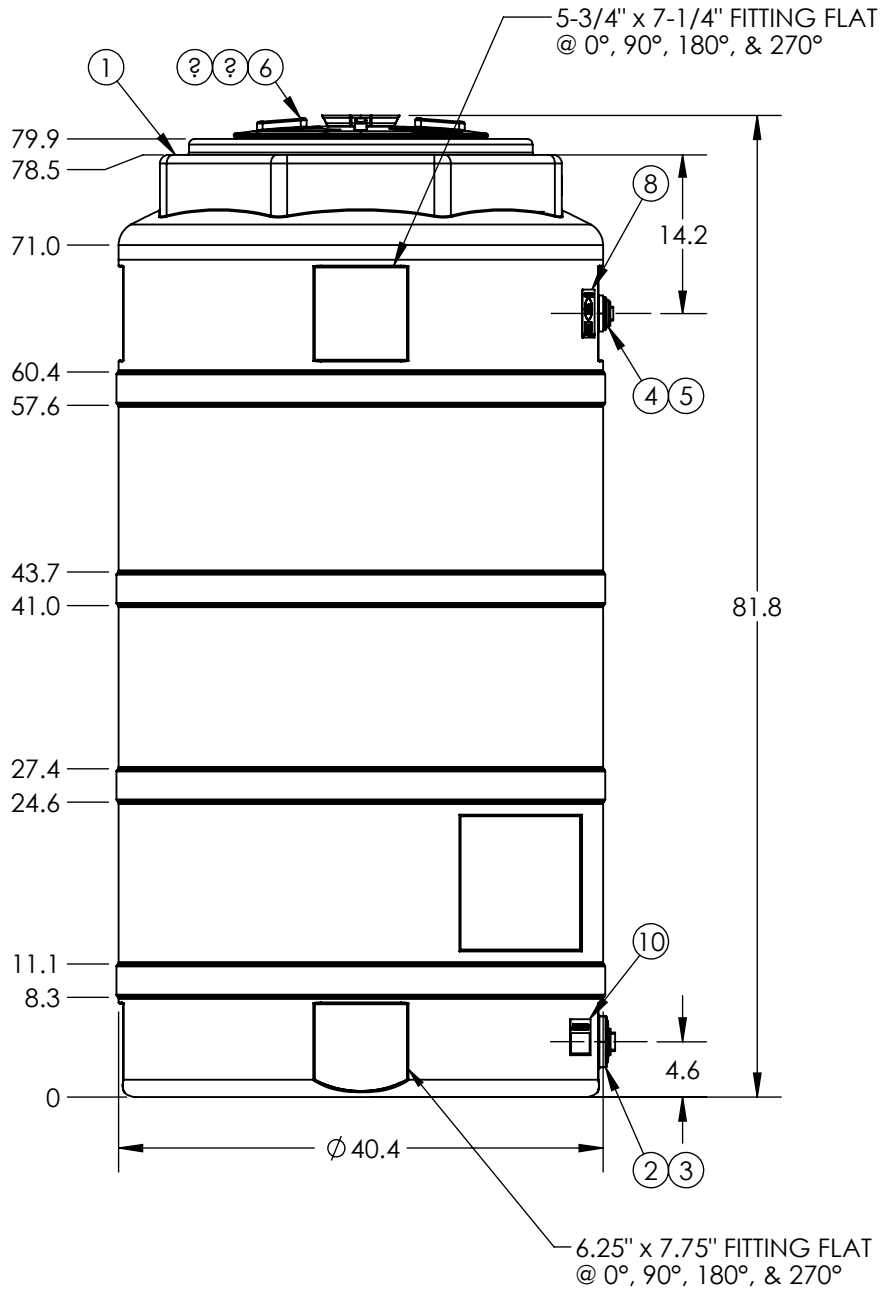


PART NUMBER	COLOR
32505	BLACK
32507	GREEN



**\*GALLON MARKS CAN BE REMOVED FOR FITTING PLACEMENT AS NECESSARY.**

10	1	61847	DECAL AG WARNING - SMALL
9	1	61848	DECAL AG WARNING - LARGE
8	1	99700231	DECAL NSF MARK - WATER TKS
7	8	60081	SCREW #9 X 1" SS 5"-22" LID
6	1	64448	MANWAY 20IN W/VENT R
5	1	64149	1-1/2" NPT PLUG
4	1	63931	FTG PP 1-1/2IN ECO-BH EPDM TXT
3	1	60021	2" NPT PLUG
2	1	63683	FTG 2IN HD BH PP/EPDM
1	1	30336	400V X 40RP FW

ITEM NO.	QTY.	PART NUMBER	DESCRIPTION
DO NOT SCALE		DRAWN BY	TITLE:
STATUS: Released		KB	<b>400 V WATER R WF</b>
© TANK HOLDING, CORP, 2025		<b>STI SNYDER INDUSTRIES</b> A BRAND OF TANK HOLDING CORP.	REVISION: <b>B</b>
ALL DIMENSIONS, DESIGNS, AND INFORMATION ON THIS PRINT MUST BE CONSIDERED PROPRIETARY TO TANK HOLDING, CORP. AND MAY NOT BE USED, COPIED, OR DISTRIBUTED WITHOUT WRITTEN PERMISSION OF AN OFFICER (OR HIS AGENT) OF THE FIRM.		(402) 467-5221 www.snydernet.com	SHEET: 1 OF 1
		PART NO. SEE CHART	ENG. ID. D010672

**\*ALL EXTERNAL PIPING MUST BE INDEPENDENTLY SUPPORTED.**  
**\*ONLY BASE FITTINGS TO BE LEFT INSTALLED AT TIME OF SHIPMENT PER SII PROCEDURE.**  
**ALL DIMENSIONS ARE IN INCHES, NOMINAL, & SUBJECT TO CHANGE WITHOUT NOTICE.**  
**ALL DIMENSIONS ON ROTATIONAL MOLDED PARTS ARE SUBJECT TO A ± 3% TOLERANCE.**