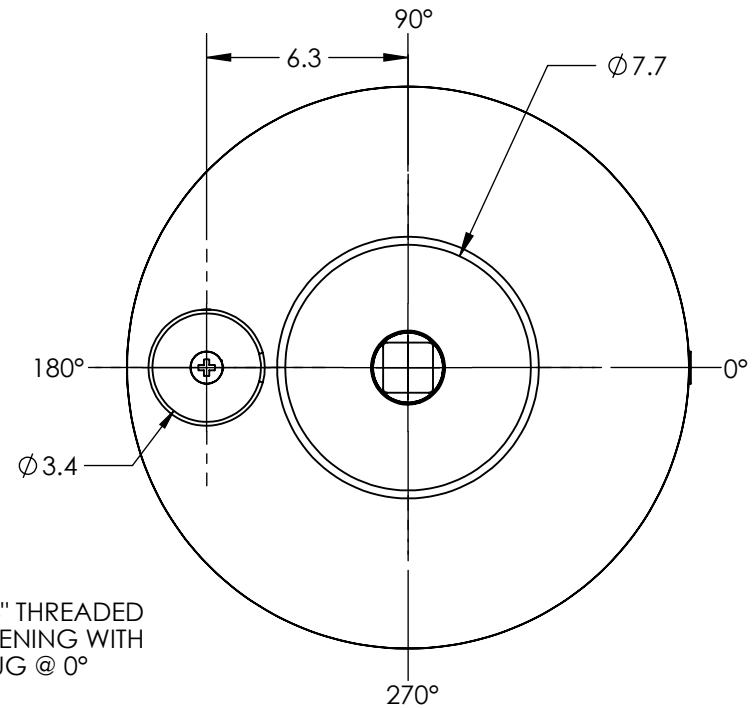
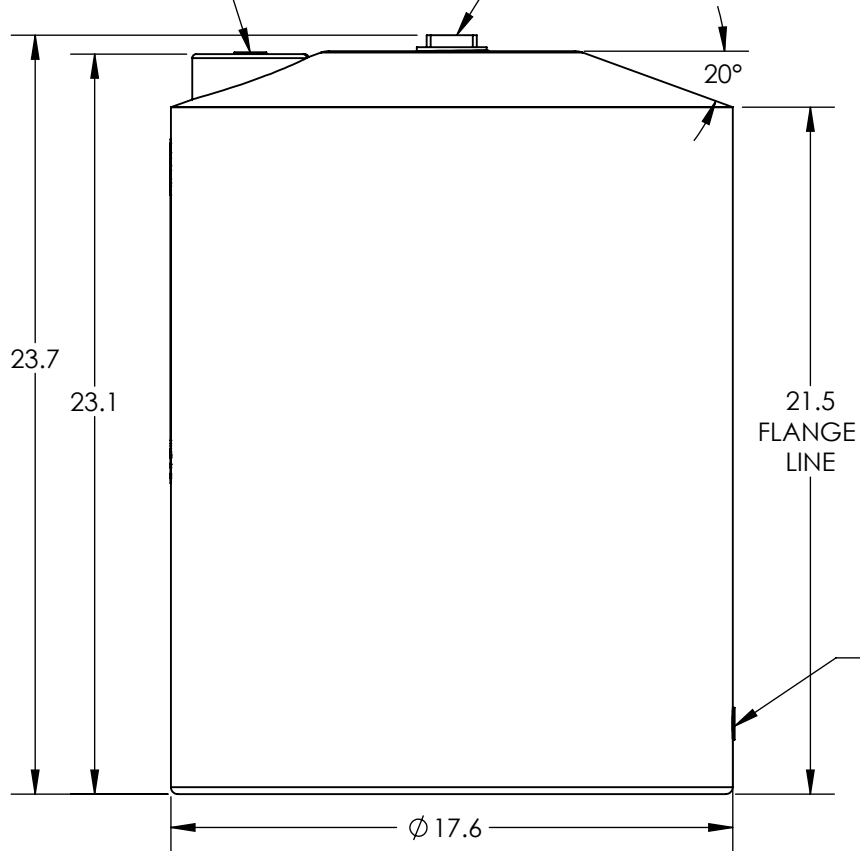


3/4" THREADED  
OPENING WITH PLUG


2" THREADED  
OPENING WITH PLUG



3/4" THREADED  
OPENING WITH  
PLUG @ 0°

**BASE FITTINGS TO BE INSTALLED AT TIME OF SHIPMENT**

**\*ALL EXTERNAL PIPING MUST BE INDEPENDENTLY SUPPORTED.**  
**\*ONLY BASE FITTINGS TO BE LEFT INSTALLED AT TIME OF SHIPMENT PER SII PROCEDURE.**  
**\*Consult Snyder's Guidelines for Use and Installation prior to delivery.**  
 Available on-line at <http://www.snyderindustriestanks.com/Technical>  
**ALL DIMENSIONS ARE IN INCHES, NOMINAL, & SUBJECT TO CHANGE WITHOUT NOTICE.**  
**ALL DIMENSIONS ON ROTATIONAL MOLDED PARTS ARE SUBJECT TO A ± 3% TOLERANCE.**

DO NOT SCALE		DRAWN BY	TITLE:		REVISION
STATUS: <b>Released</b>		SB	<b>ASM TK 22VDT</b>		<b>A</b>
© SNYDER INDUSTRIES, INC., 2018				SHEET	
<small>ALL DIMENSIONS, DESIGNS, AND INFORMATION ON THIS PRINT MUST BE CONSIDERED PROPRIETARY TO SNYDER INDUSTRIES, INC. AND MAY NOT BE USED, COPIED, OR DISTRIBUTED WITHOUT WRITTEN PERMISSION OF AN OFFICER (OR HIS AGENT) OF THE FIRM.</small>		(402) 467-5221 www.snyderinet.com	PART NO. <b>153000N__01</b>	ENG. ID. <b>D009139</b>	1 OF 1