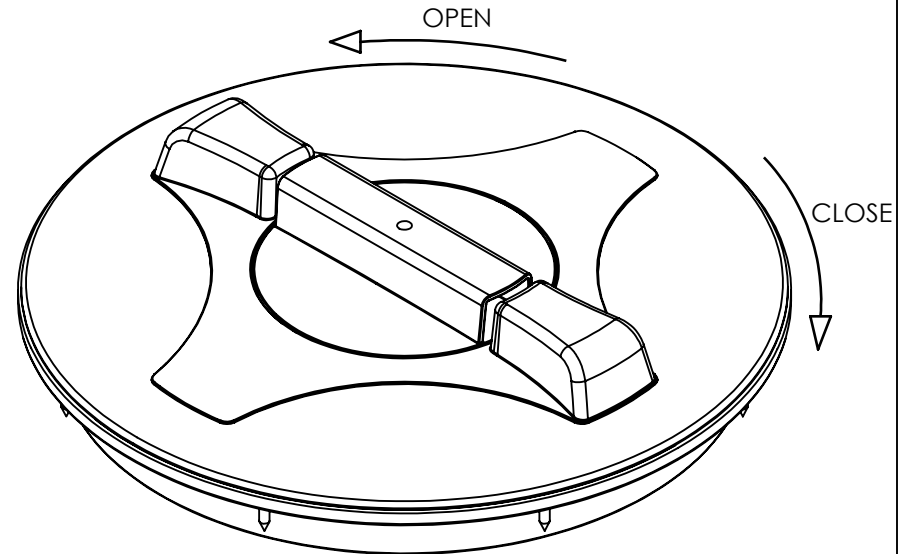


EXPLODED VIEW



ALL DIMENSIONS ARE IN INCHES, NOMINAL, & SUBJECT TO CHANGE WITHOUT NOTICE.
ALL DIMENSIONS ON ROTATIONAL MOLDED PARTS ARE SUBJECT TO A ± 3% TOLERANCE.

3	8	35200018	SCREW SS #10 X 1IN CSUNK PHIL ST
2	1	34300169	CAP PE 14IN VENTED BLACK
1	1	34300170	RING PE 14IN CAP BLACK
ITEM NO.	QTY.	PART NUMBER	DESCRIPTION
DO NOT SCALE		DRAWN BY	
STATUS: Released		IGG	
© SNYDER INDUSTRIES, INC., 2018			TITLE: ASM CAP PE 14IN VENTED BLACK
ALL DIMENSIONS, DESIGNS, AND INFORMATION ON THIS PRINT MUST BE CONSIDERED PROPRIETARY TO SNYDER INDUSTRIES, INC. AND MAY NOT BE USED, COPIED, OR DISTRIBUTED WITHOUT WRITTEN PERMISSION OF AN OFFICER (OR HIS AGENT) OF THE FIRM.			REVISION B
(402) 467-5221 www.snydernet.com			SHEET 1 OF 1
PART NO. 34701243		ENG. ID. D003627	