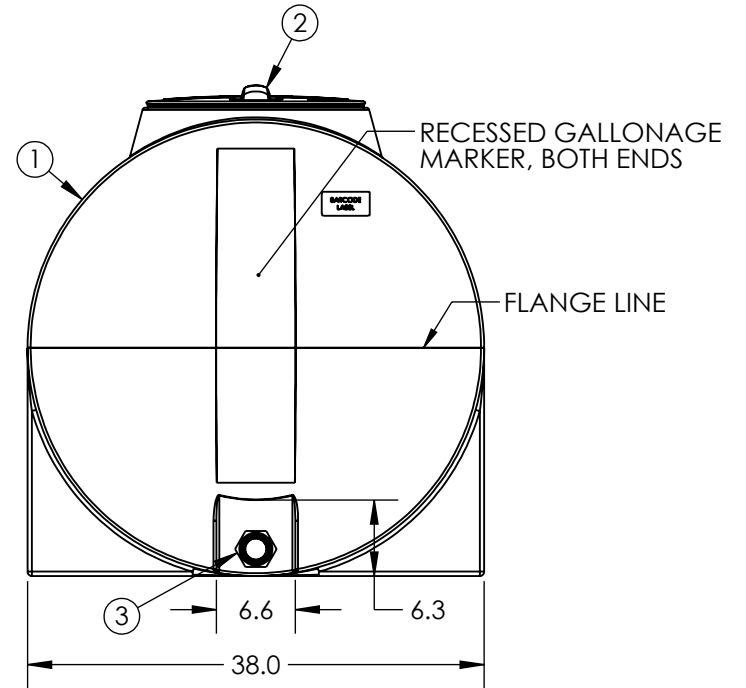


OPTIONAL HOOP ASSEMBLY
AVAILABLE P/N-45400006



3	1	63931	FTG PP 1-1/2IN ECO-BH EPDM TXT
2	1	34700087	ASM MANWAY 18IN PE W/5IN VENT W/TIE SII
1	1	1321000C__02	ASM TK 300HLT X 38 NOMW
ITEM NO.	default /QTY.	PART NUMBER	DESCRIPTION
DO NOT SCALE		DRAWN BY	TITLE:
STATUS: Released		SB	ASM TK 300HLT X 38
© TANK HOLDING, CORP, 2024		STI SNYDER INDUSTRIES A BRAND OF TANK HOLDING CORP.	REVISION B
ALL DIMENSIONS, DESIGNS, AND INFORMATION ON THIS PRINT MUST BE CONSIDERED PROPRIETARY TO TANK HOLDING, CORP. AND MAY NOT BE USED, COPIED, OR DISTRIBUTED WITHOUT WRITTEN PERMISSION OF AN OFFICER (OR HIS AGENT) OF THE FIRM.		(402) 467-5221 www.snydernet.com	SHEET 1 OF 1
		PART NO. 1321000C__03	ENG. ID. D003532

ALL DIMENSIONS ARE IN INCHES, NOMINAL, & SUBJECT TO CHANGE WITHOUT NOTICE.
ALL DIMENSIONS ON ROTATIONAL MOLDED PARTS ARE SUBJECT TO A ± 3% TOLERANCE.