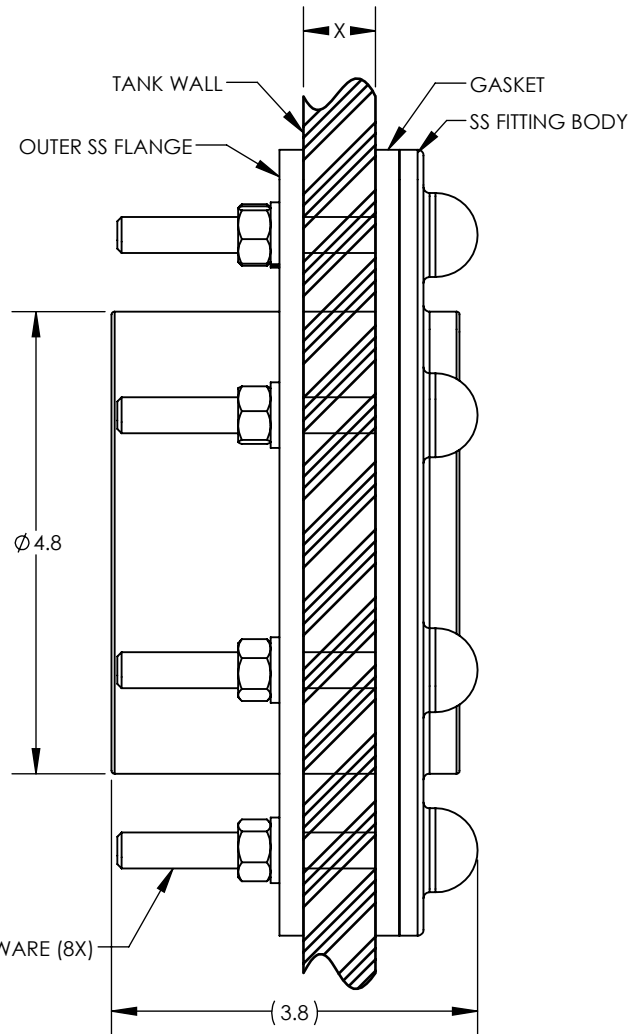
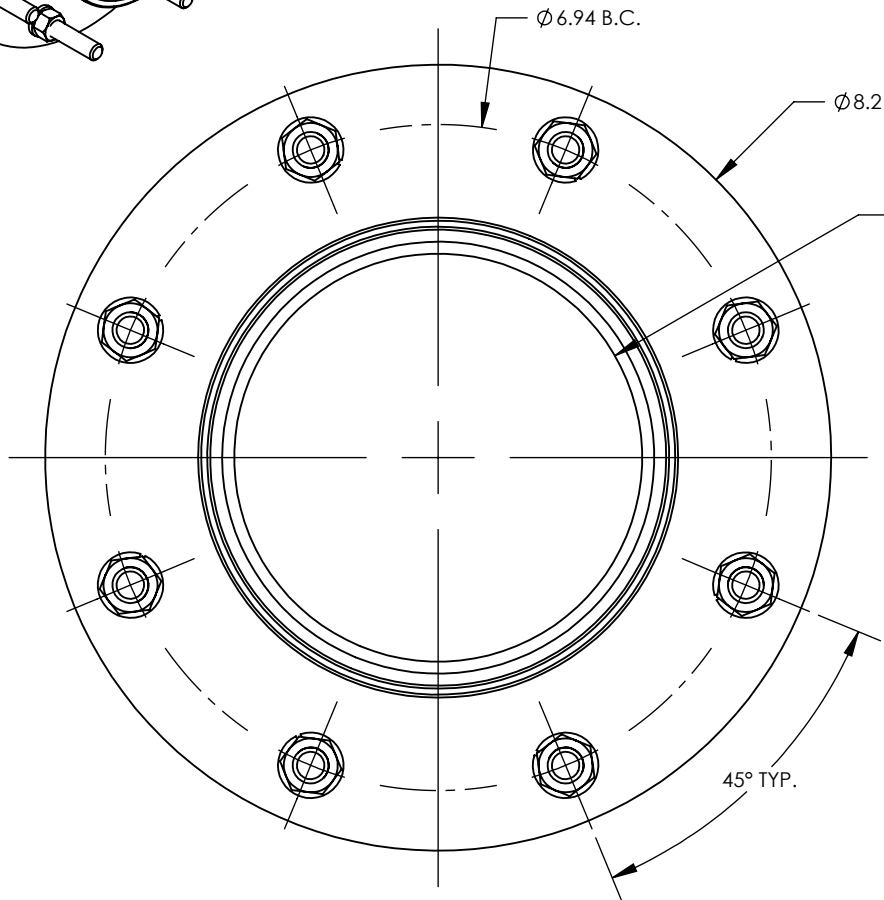


PART NUMBER	GASKET MATERIAL	BOLT LENGTH	DIMENSION "X" MAX WALL THICKNESS
34701600	EPDM	SHORT	2.0"
34701601	VITON	SHORT	2.0"
34701780	EPDM	LONG	2.5"
34701781	VITON	LONG	2.5"
34702955	FDA EPDM	SHORT	2.0"



\*ALL EXTERNAL PIPING MUST BE INDEPENDENTLY SUPPORTED.  
 \*ONLY BASE FITTINGS TO BE LEFT INSTALLED AT TIME OF SHIPMENT PER THC PROCEDURE.  
 ALL DIMENSIONS ARE IN INCHES, NOMINAL, & SUBJECT TO CHANGE WITHOUT NOTICE.  
 ALL DIMENSIONS ON ROTATIONAL MOLDED PARTS ARE SUBJECT TO A ± 3% TOLERANCE.

DO NOT SCALE	
STATUS:	<b>Released</b>
© TANK HOLDING, CORP, 2025	
<small>ALL DIMENSIONS, DESIGNS, AND INFORMATION ON THIS PRINT MUST BE CONSIDERED PROPRIETARY TO TANK HOLDING, CORP. AND MAY NOT BE USED, COPIED, OR DISTRIBUTED WITHOUT WRITTEN PERMISSION OF AN OFFICER (OR HIS AGENT) OF THE FIRM.</small>	



TITLE:	<b>ASM 4IN BLTD FTG 316SS</b>	REVISION	<b>B</b>
PART NO.	<b>SEE CHART</b>	SHEET	1 OF 1
ENG. ID.	<b>D000609</b>		