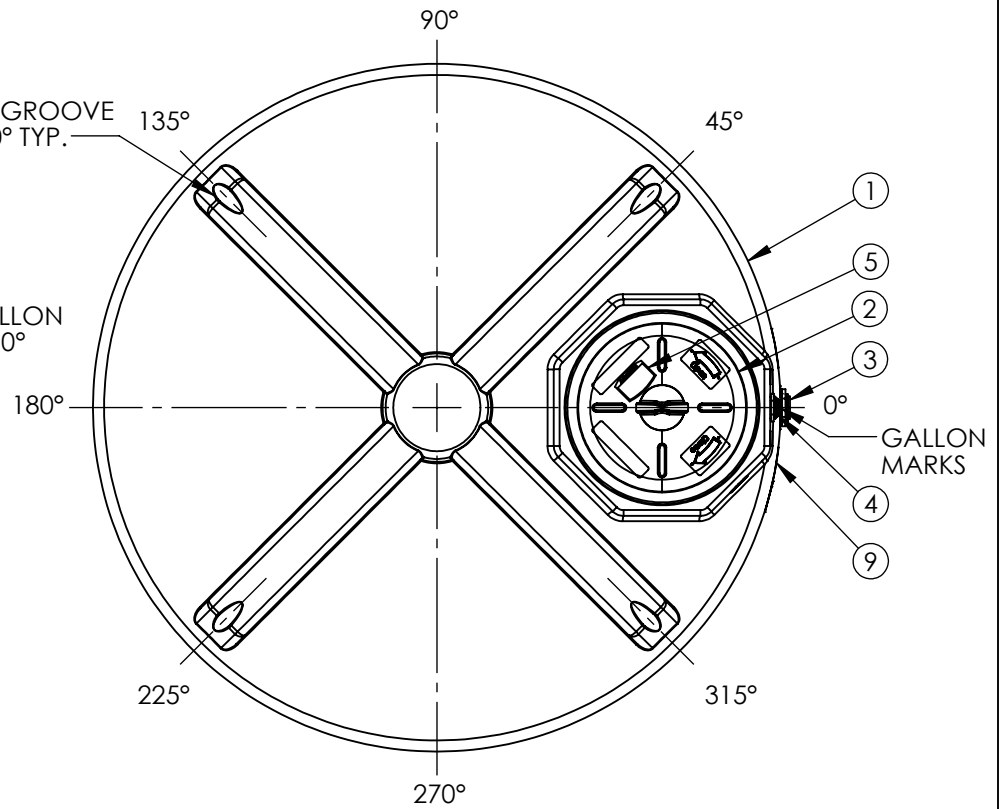
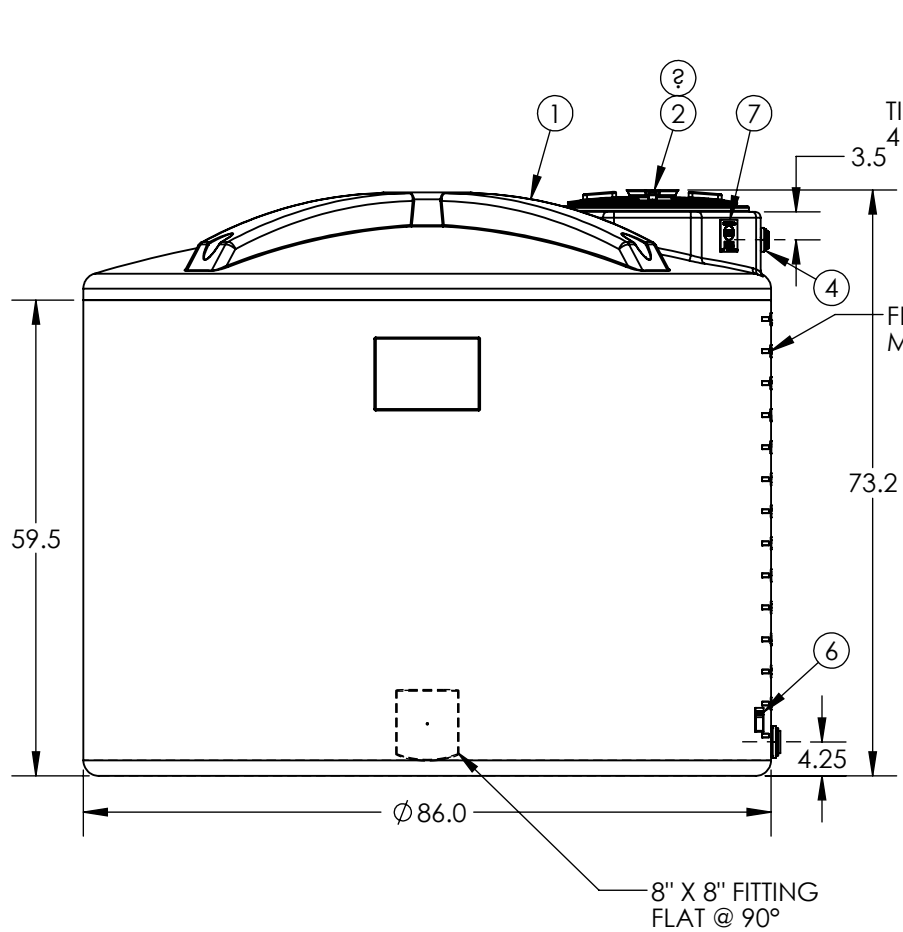


PART NUMBER	COLOR
32714	BLACK
32716	GREEN



*GALLONAGE MARKS CAN BE REMOVED FOR FITTING PLACEMENT IF NEEDED.

*FITTINGS ARE CENTERED IN BOTTOM FITTING FLATS & FITTING HEIGHTS MAY VARY.
 *ALL EXTERNAL PIPING MUST BE INDEPENDENTLY SUPPORTED.
 *ONLY BASE FITTINGS TO BE LEFT INSTALLED AT TIME OF SHIPMENT PER THC PROCEDURE.
 ALL DIMENSIONS ARE IN INCHES, NOMINAL, & SUBJECT TO CHANGE WITHOUT NOTICE.
 ALL DIMENSIONS ON ROTATIONAL MOLDED PARTS ARE SUBJECT TO A ± 3% TOLERANCE.

7	1	99700231	DECAL NSF MARK - WATER TKS
6	1	61847	DECAL AG WARNING - SMALL
5	1	61848	DECAL AG WARNING - LARGE
4	1	63931	FTG PP 1-1/2IN ECO-BH EPDM TXT
3	1	60405	FTG PP 2IN BH EPDM TXT
2	1	34703189	ASM LID 20IN W/VENT R
1	1	30343	1600V X 86 RP
ITEM NO.	QTY.	PART NUMBER	DESCRIPTION
DO NOT SCALE		DRAWN BY	TITLE:
Released		IGG	1600 V WATER RS WF
© TANK HOLDING, CORP, 2025		 A BRAND OF TANK HOLDING CORP.	REVISION A
<small>ALL DIMENSIONS, DESIGNS, AND INFORMATION ON THIS PRINT MUST BE CONSIDERED PROPRIETARY TO TANK HOLDING, CORP. AND MAY NOT BE USED, COPIED, OR DISTRIBUTED WITHOUT WRITTEN PERMISSION OF AN OFFICER (OR HIS AGENT) OF THE FIRM.</small>		(402) 467-5221 www.snydermet.com	REVISION SHEET 1 OF 1
		PART NO.	ENG. ID.
		SEE CHART	A030896