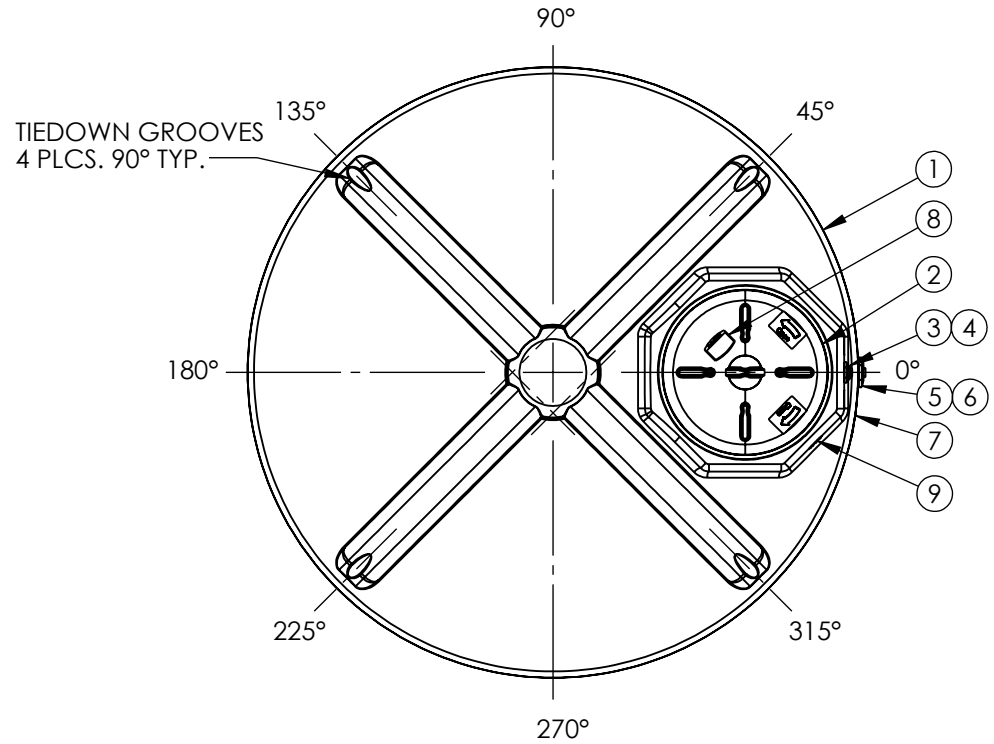
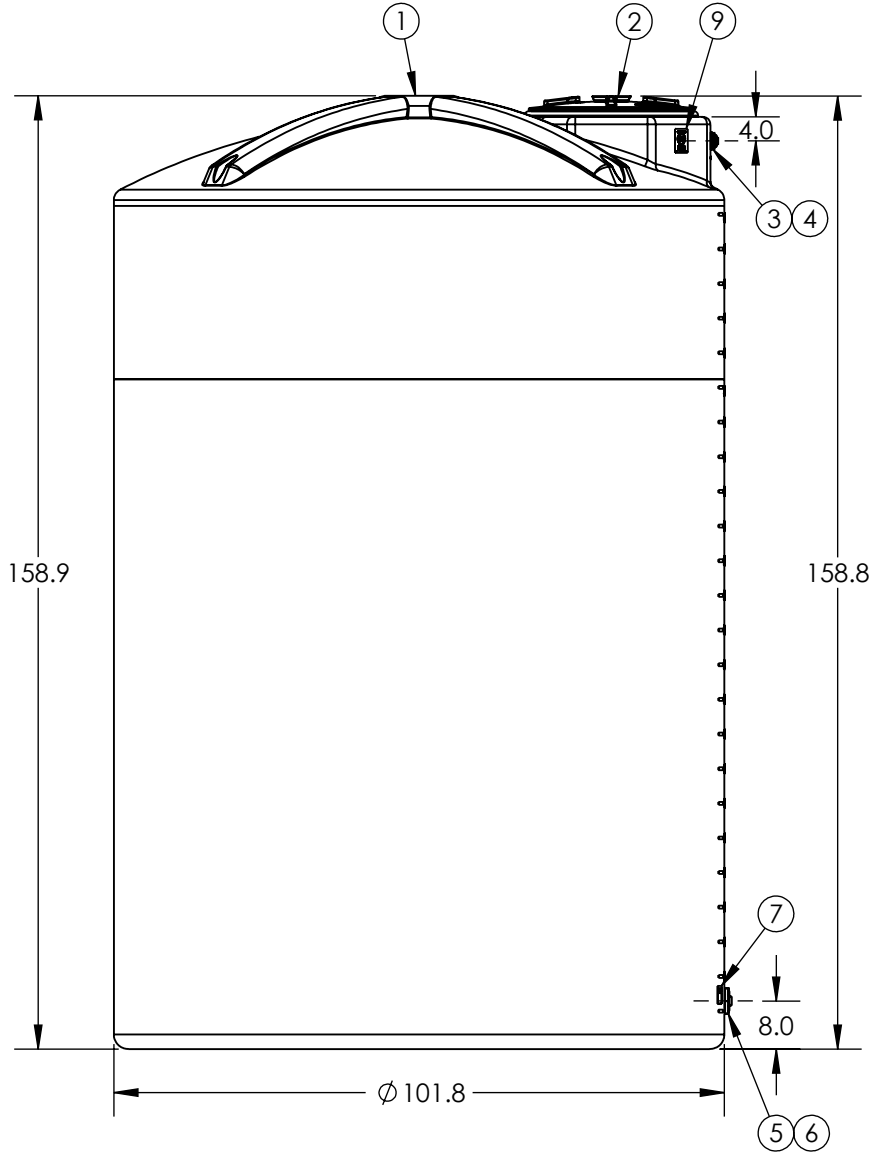



PART NUMBER	TANK COLOR
32819	BLACK
32821	GREEN



9	1	99700231	DECAL NSF MARK - WATER TKS
8	1	61848	DECAL AG WARNING - LARGE
7	1	61847	DECAL AG WARNING - SMALL
6	1	60021	2" NPT PLUG
5	1	63683	FTG 2IN HD BH PP/EPDM
4	1	64149	1-1/2" NPT PLUG
3	1	63931	FTG PP 1-1/2IN ECO-BH EPDM TXT
2	1	64443	MANWAY 26IN W/VENT R
1	1	30412	5000 VDT X 102 NO-RIB MOLD SETUP

ITEM NO.	QTY.	PART NUMBER	DESCRIPTION
DO NOT SCALE		DRAWN BY	REVISION
STATUS: Released		IGG	A
© TANK HOLDING, CORP, 2024		 5000 X 102 V WATER RS WF	SHEET 1 OF 1
ALL DIMENSIONS, DESIGNS, AND INFORMATION ON THIS PRINT MUST BE CONSIDERED PROPRIETARY TO TANK HOLDING, CORP. AND MAY NOT BE USED, COPIED, OR DISTRIBUTED WITHOUT WRITTEN PERMISSION OF AN OFFICER (OR HIS AGENT) OF THE FIRM.		(402) 467-5221 www.snydermet.com	ENG. ID. A026937
		PART NO. SEE CHART	

*ALL EXTERNAL PIPING MUST BE INDEPENDENTLY SUPPORTED.
 *ONLY BASE FITTINGS TO BE LEFT INSTALLED AT TIME OF SHIPMENT PER SII PROCEDURE.
 ALL DIMENSIONS ARE IN INCHES, NOMINAL, & SUBJECT TO CHANGE WITHOUT NOTICE.
 ALL DIMENSIONS ON ROTATIONAL MOLDED PARTS ARE SUBJECT TO A ± 3% TOLERANCE.