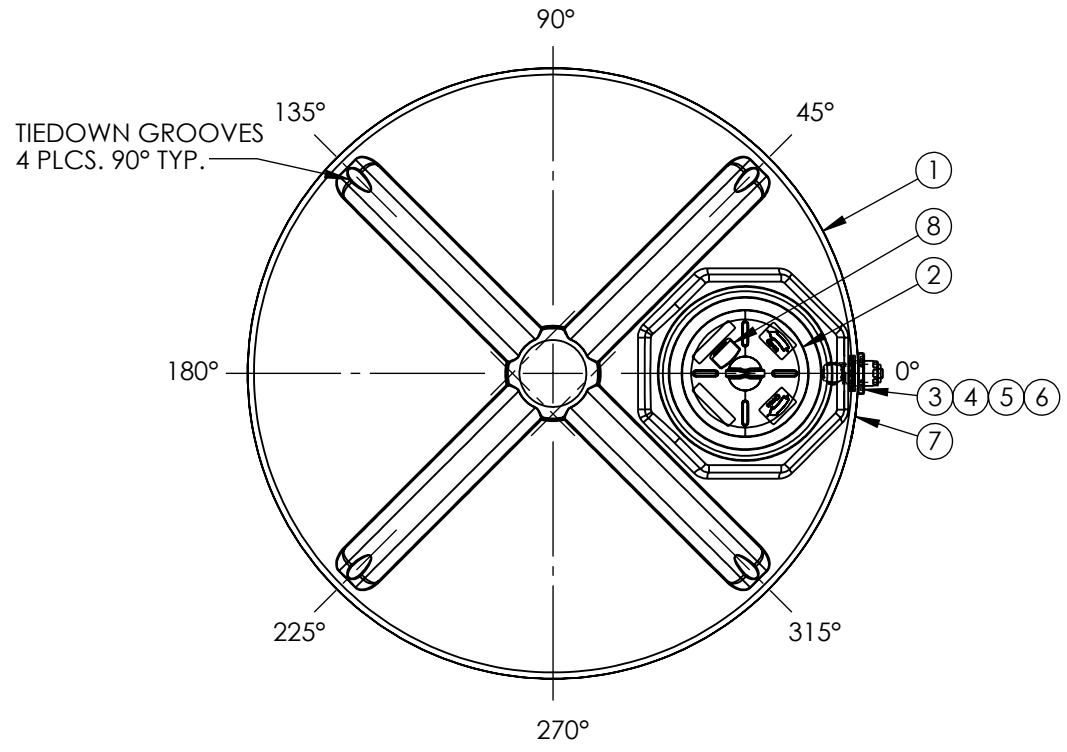
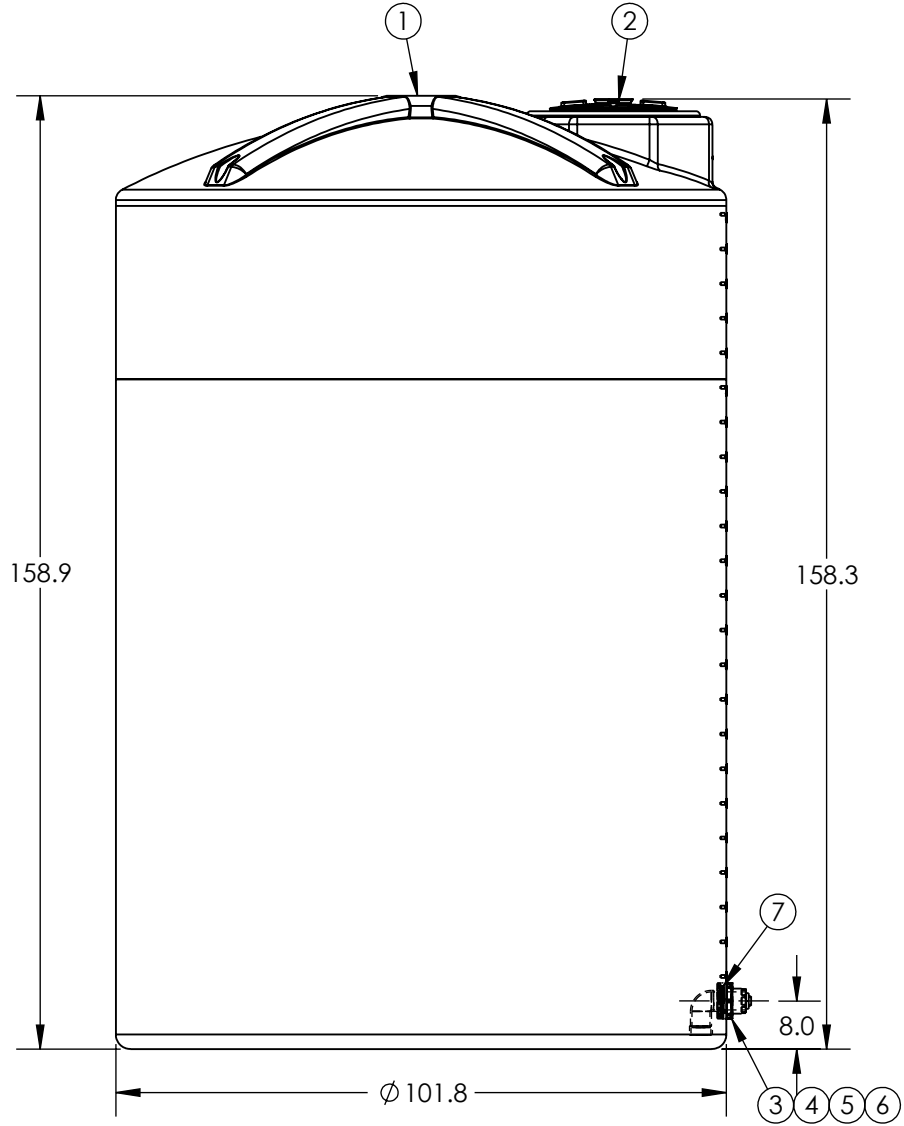


PART NUMBER	TANK COLOR
32811	NATURAL 1.5
32815	NATURAL 1.9



8	1	61848	DECAL AG WARNING - LARGE
7	1	61847	DECAL AG WARNING - SMALL
6	1	60021	2" NPT PLUG
5	1	60327	SIPHON TUBE 3 X 5-1/2 PP
4	1	60330	REDUCER BUSHING PP 3IN X 2IN
3	1	62299	FTG PP 3IN BH EPDM TXT
2	1	64448	MANWAY 20IN W/VENT R
1	1	30412	5000 VDT X 102 NO-RIB MOLD SETUP

***ALL EXTERNAL PIPING MUST BE INDEPENDENTLY SUPPORTED.**
***ONLY BASE FITTINGS TO BE LEFT INSTALLED AT TIME OF SHIPMENT PER SII PROCEDURE.**
ALL DIMENSIONS ARE IN INCHES, NOMINAL, & SUBJECT TO CHANGE WITHOUT NOTICE.
ALL DIMENSIONS ON ROTATIONAL MOLDED PARTS ARE SUBJECT TO A ± 3% TOLERANCE.

ITEM NO.	QTY.	PART NUMBER	DESCRIPTION
DO NOT SCALE		DRAWN BY	REVISION
STATUS: Released		IGG	A
© TANK HOLDING, CORP, 2023		 A BRAND OF TANK HOLDING CORP.	TITLE: 5000 X 102 V RS WF
ALL DIMENSIONS, DESIGNS, AND INFORMATION ON THIS PRINT MUST BE CONSIDERED PROPRIETARY TO TANK HOLDING, CORP. AND MAY NOT BE USED, COPIED, OR DISTRIBUTED WITHOUT WRITTEN PERMISSION OF AN OFFICER (OR HIS AGENT) OF THE FIRM.		(402) 467-5221 www.snydermet.com	PART NO. 32811 32815 ENG. ID. A025268
			SHEET 1 OF 1