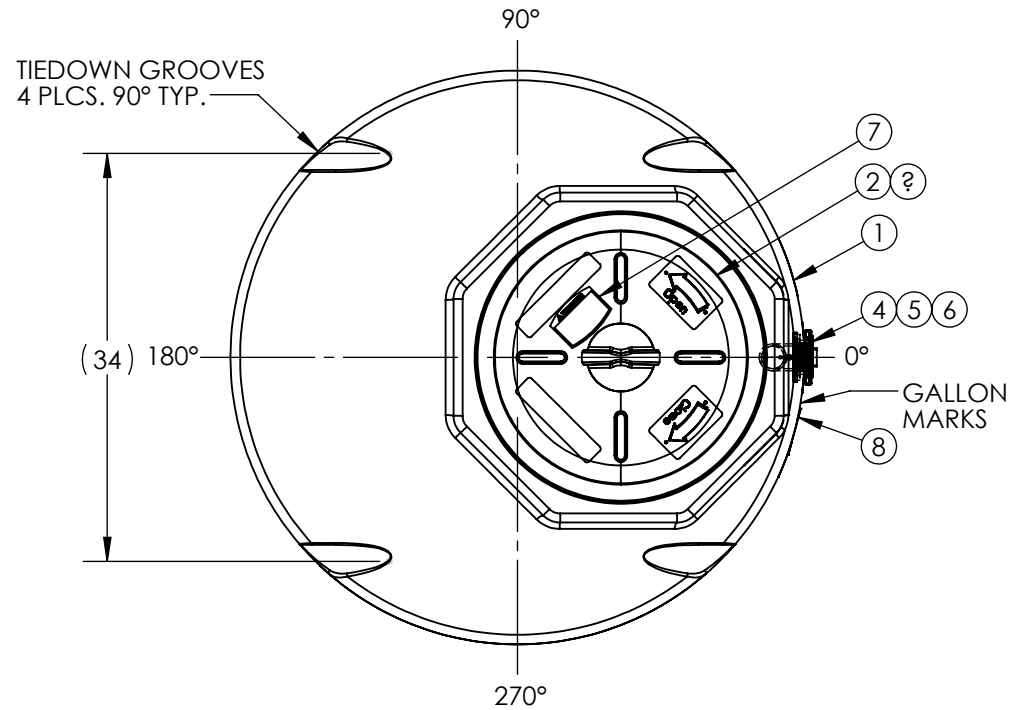
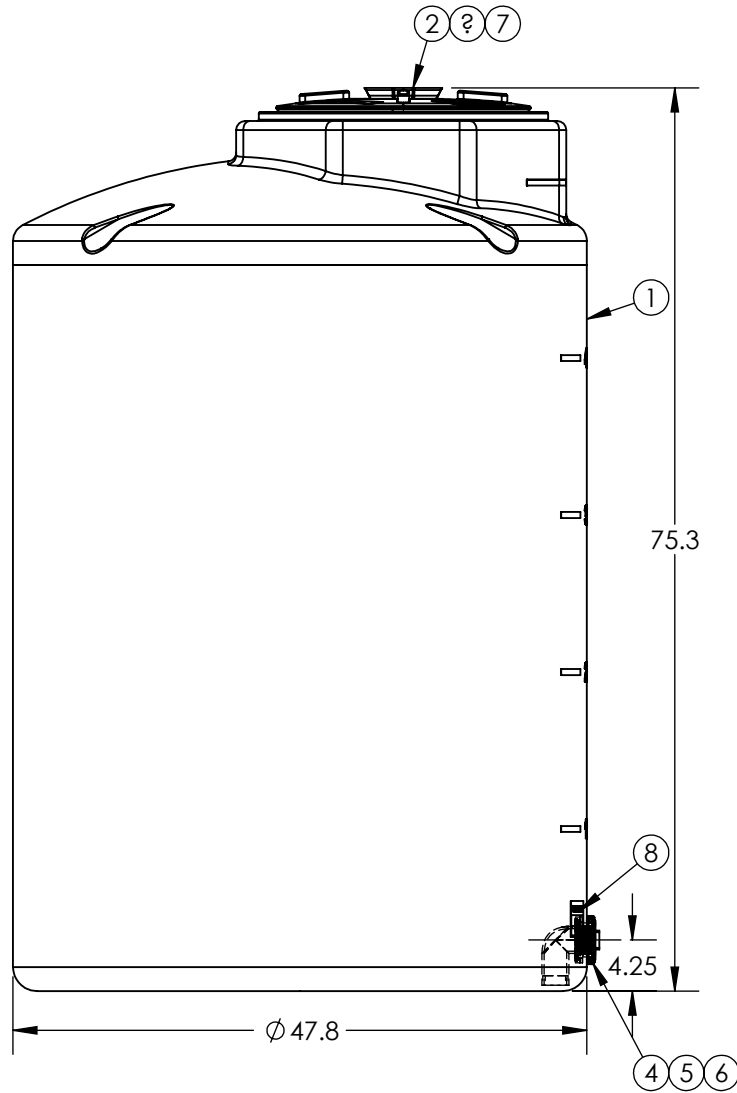


PART NUMBER	MATERIAL
32661	NATURAL 1.5
32665	NATURAL 1.9



8	1	61847	DECAL AG WARNING - SMALL
7	1	61848	DECAL AG WARNING - LARGE
6	1	60335	SIPHON TUBE PP 2IN X 3-3/4LG
5	1	60021	2" NPT PLUG
4	1	63481	FTG 2IN STD BH PP/EPDM
3	8	60081	SCREW #9 X 1" SS 5"-22" LID
2	1	64448	MANWAY 20IN W/VENT R
1	1	30337	500 V R
ITEM NO.	QTY.	PART NUMBER	DESCRIPTION
DO NOT SCALE		DRAWN BY	TITLE:
STATUS: Released		IGG	500 V RS WF
© TANK HOLDING, CORP, 2022		STI SNYDER INDUSTRIES A BRAND OF TANK HOLDING CORP.	REVISION A
ALL DIMENSIONS, DESIGNS, AND INFORMATION ON THIS PRINT MUST BE CONSIDERED PROPRIETARY TO TANK HOLDING, CORP. AND MAY NOT BE USED, COPIED, OR DISTRIBUTED WITHOUT WRITTEN PERMISSION OF AN OFFICER (OR HIS AGENT) OF THE FIRM.		(402) 467-5221 www.snydermet.com	SHEET 1 OF 1
		PART NO.	ENG. ID.
		SEE CHART	A022415

*ALL EXTERNAL PIPING MUST BE INDEPENDENTLY SUPPORTED.
 *ONLY BASE FITTINGS TO BE LEFT INSTALLED AT TIME OF SHIPMENT PER SII PROCEDURE.
 ALL DIMENSIONS ARE IN INCHES, NOMINAL, & SUBJECT TO CHANGE WITHOUT NOTICE.
 ALL DIMENSIONS ON ROTATIONAL MOLDED PARTS ARE SUBJECT TO A ± 3% TOLERANCE.