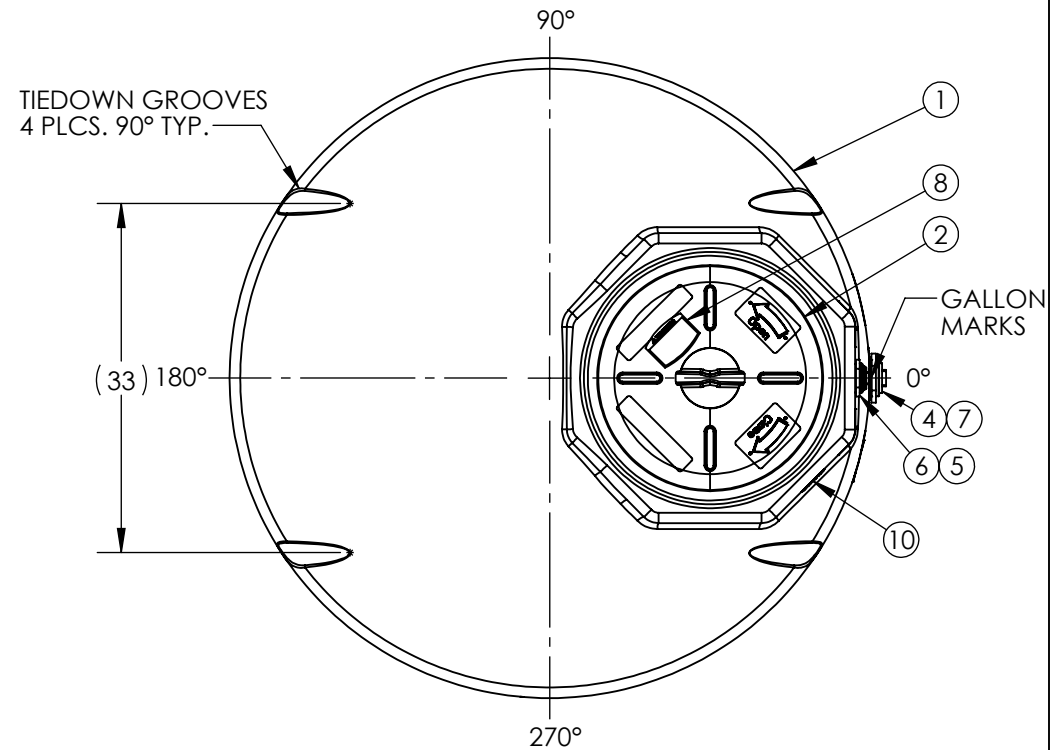
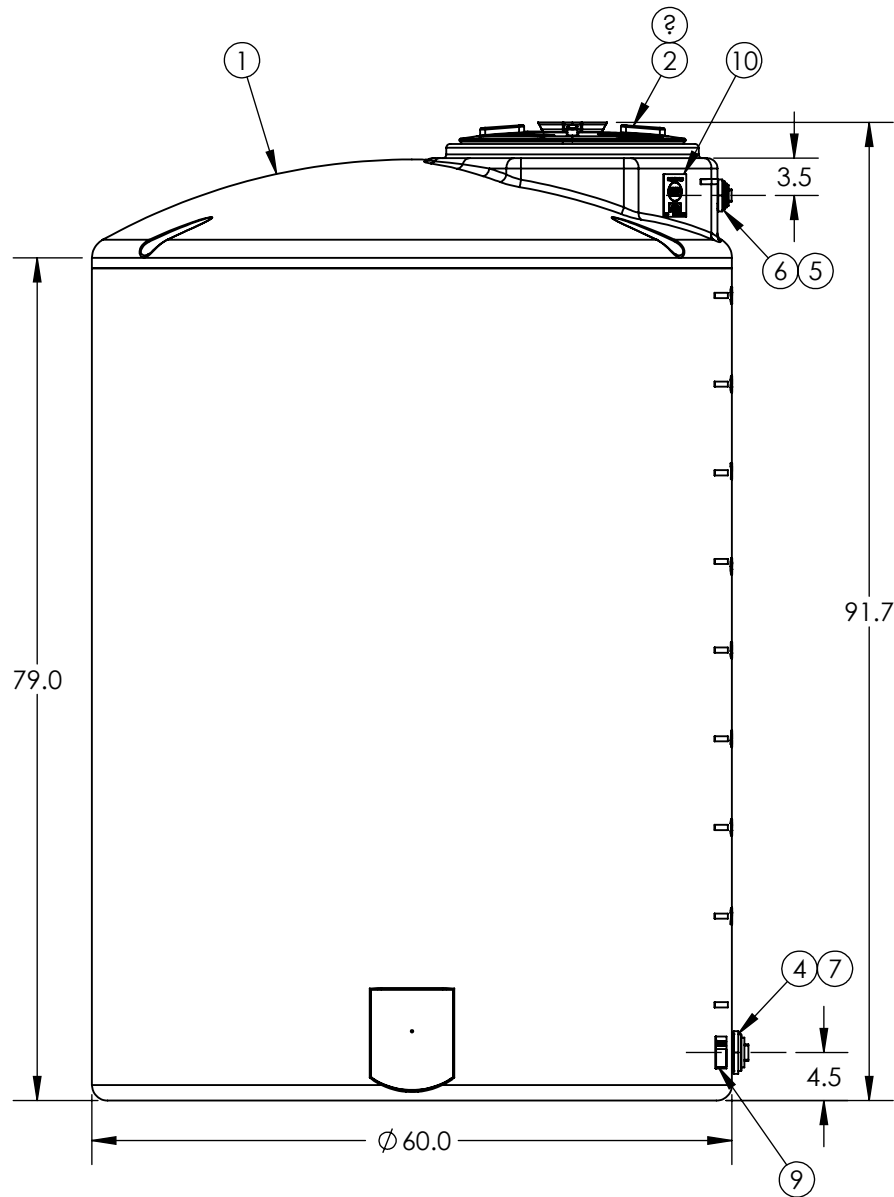



PART NUMBER	COLOR
32683	BLACK
32685	GREEN



10	1	99700231	DECAL NSF MARK - WATER TKS
9	1	61847	DECAL AG WARNING - SMALL
8	1	61848	DECAL AG WARNING - LARGE
7	1	60021	2" NPT PLUG
6	1	63931	FTG PP 1-1/2IN ECO-BH EPDM TXT
5	1	64149	1-1/2" NPT PLUG
4	1	60405	FTG PP 2IN BH EPDM TXT
3	8	60081	SCREW #9 X 1" SS 5"-22" LID
2	1	64448	MANWAY 20IN W/VENT R
1	1	30339	1000V X 60 RP

ITEM NO.	QTY.	PART NUMBER	DESCRIPTION
DO NOT SCALE		DRAWN BY	TITLE:
STATUS: Released		IGG	1000 V WATER RS WF
© TANK HOLDING, CORP, 2025		 A BRAND OF TANK HOLDING CORP.	REVISION A
ALL DIMENSIONS, DESIGNS, AND INFORMATION ON THIS PRINT MUST BE CONSIDERED PROPRIETARY TO TANK HOLDING, CORP. AND MAY NOT BE USED, COPIED, OR DISTRIBUTED WITHOUT WRITTEN PERMISSION OF AN OFFICER (OR HIS AGENT) OF THE FIRM.		(402) 467-5221 www.snydermet.com	SHEET 1 OF 1
		PART NO.	ENG. ID.
		SEE CHART	A020918

*FITTINGS ARE CENTERED IN BOTTOM FITTING FLATS & FITTING HEIGHTS MAY VARY.
 *ALL EXTERNAL PIPING MUST BE INDEPENDENTLY SUPPORTED.
 *ONLY BASE FITTINGS TO BE LEFT INSTALLED AT TIME OF SHIPMENT PER THC PROCEDURE.
 ALL DIMENSIONS ARE IN INCHES, NOMINAL, & SUBJECT TO CHANGE WITHOUT NOTICE.
 ALL DIMENSIONS ON ROTATIONAL MOLDED PARTS ARE SUBJECT TO A ± 3% TOLERANCE.