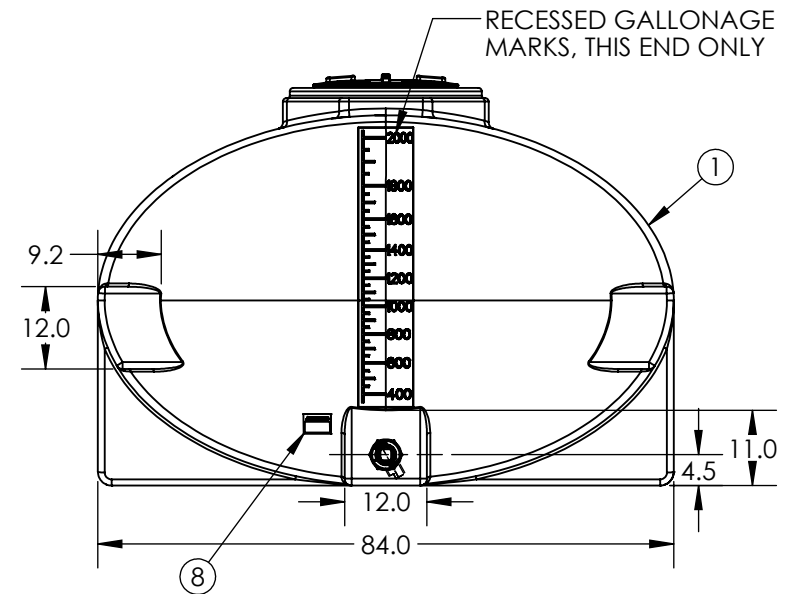
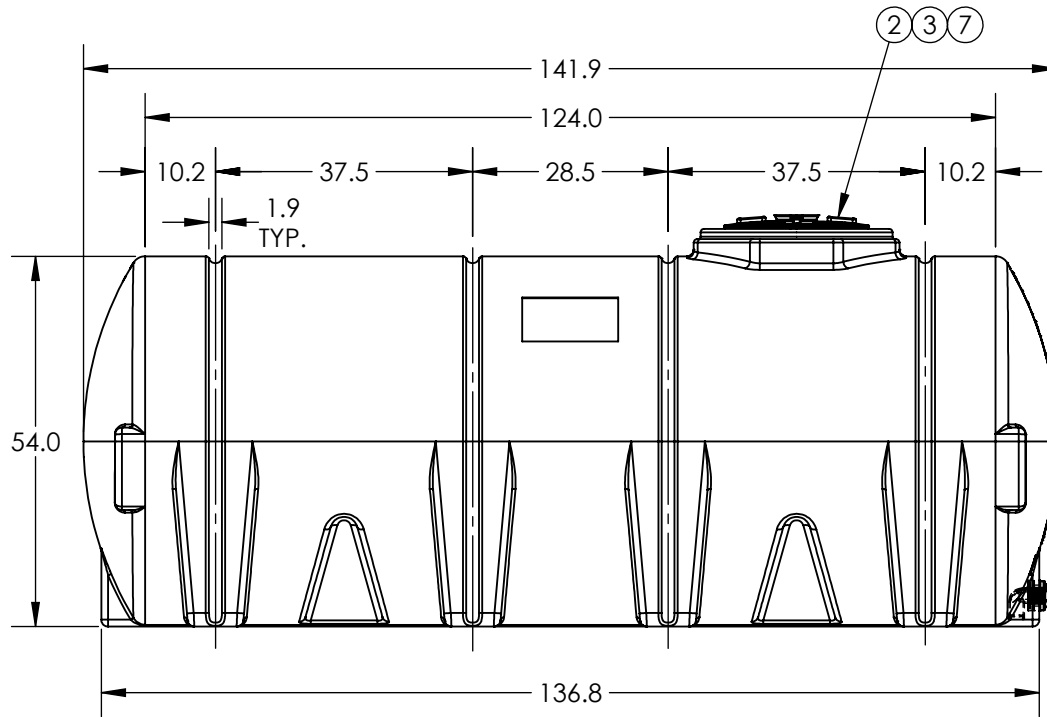


PART NUMBER	COLOR
32180	NATURAL 1.5
32182	NATURAL 1.9
32184	BLACK 1.5
32186	BLACK 1.9



8	1	61847	DECAL AG WARNING - SMALL
7	1	61848	DECAL AG WARNING - LARGE
6	1	60021	2" NPT PLUG
5	1	60335	SIPHON TUBE PP 2IN X 3-3/4LG
4	1	63683	FTG 2IN HD BH PP/EPDM
3	8	60081	SCREW #9 X 1" SS 5"-22" LID
2	1	64448	MANWAY 20IN W/VENT R
1	1	30368	2035 ELLIP LEG R
ITEM NO.	QTY.	PART NUMBER	DESCRIPTION
DO NOT SCALE		DRAWN BY	REVISION
Released		IGG	A
© SNYDER INDUSTRIES, LLC, 2021			TITLE: 2035 ELLIP LEG R WF
<small>ALL DIMENSIONS, DESIGNS, AND INFORMATION ON THIS PRINT MUST BE CONSIDERED PROPRIETARY TO SNYDER INDUSTRIES, LLC, AND MAY NOT BE USED, COPIED, OR DISTRIBUTED WITHOUT WRITTEN PERMISSION OF AN OFFICER (OR HIS AGENT) OF THE FIRM.</small>			REVISION SHEET 1 OF 1
<small>(402) 467-5221 www.snyderent.com</small>		SEE CHART	A020209

***ALL EXTERNAL PIPING MUST BE INDEPENDENTLY SUPPORTED.**
***ONLY BASE FITTINGS TO BE LEFT INSTALLED AT TIME OF SHIPMENT PER SII PROCEDURE.**
ALL DIMENSIONS ARE IN INCHES, NOMINAL, & SUBJECT TO CHANGE WITHOUT NOTICE.
ALL DIMENSIONS ON ROTATIONAL MOLDED PARTS ARE SUBJECT TO A ± 3% TOLERANCE.