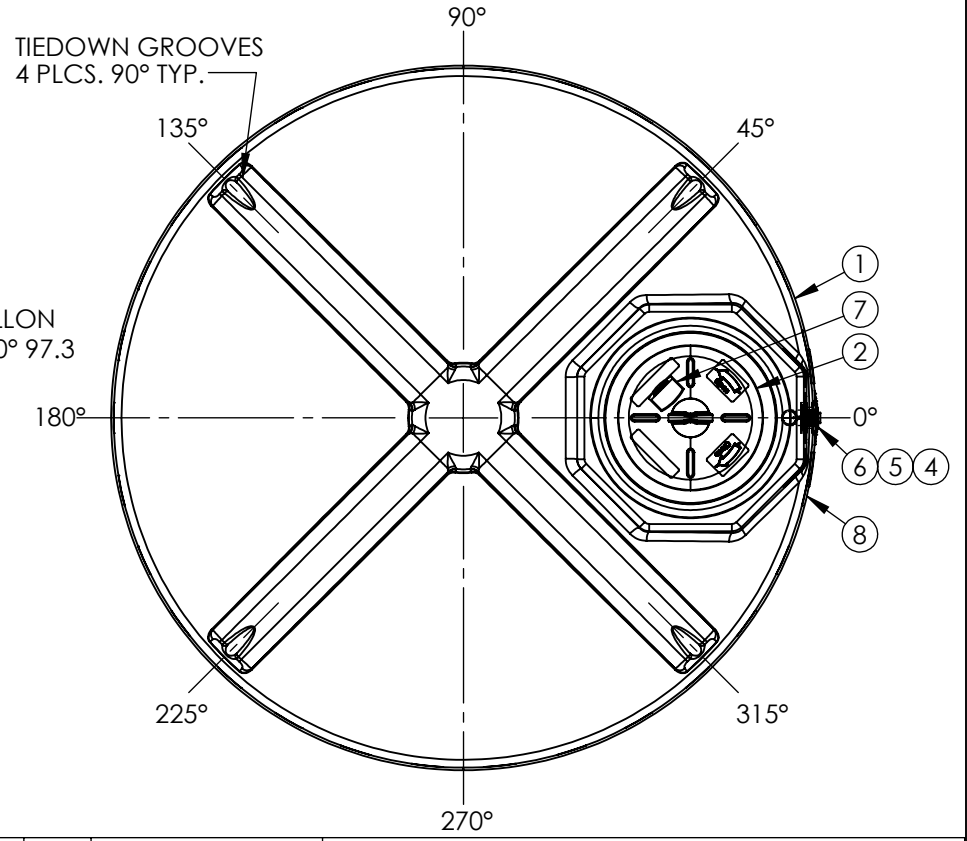
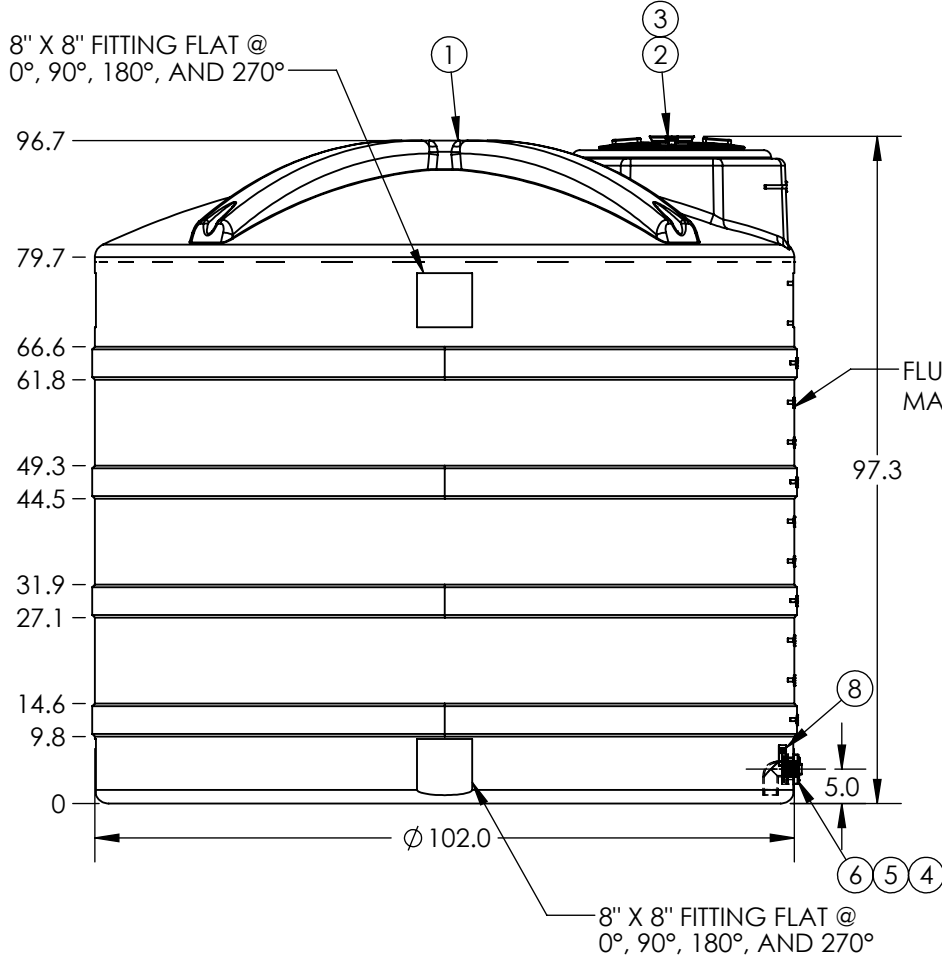


PART NUMBER	TANK COLOR
32032	BLACK 1.9
32255	NATURAL 1.5
32257	BLACK 1.5
32259	NATURAL 1.9



8	1	61847	DECAL AG WARNING - SMALL
7	1	61848	DECAL AG WARNING - LARGE
6	1	63683	FTG 2IN HD BH PP/EPDM
5	1	60021	2" NPT PLUG
4	1	60335	SIPHON TUBE PP 2IN X 3-3/4LG
3	8	60081	SCREW #9 X 1" SS 5"-22" LID
2	1	64448	MANWAY 20IN W/VENT R
1	1	30348-AL	3000V X 102 RP AL

ITEM NO.	QTY.	PART NUMBER	DESCRIPTION
DO NOT SCALE		DRAWN BY	TITLE:
STATUS: Released		IGG	3000X102 V R WF
© SNYDER INDUSTRIES, LLC, 2021			REVISION A
ALL DIMENSIONS, DESIGNS, AND INFORMATION ON THIS PRINT MUST BE CONSIDERED PROPRIETARY TO SNYDER INDUSTRIES, LLC, AND MAY NOT BE USED, COPIED, OR DISTRIBUTED WITHOUT WRITTEN PERMISSION OF AN OFFICER (OR HIS AGENT) OF THE FIRM.			SHEET 1 OF 1
		(402) 467-5221 www.snydernet.com	ENG. ID. A019968
		SEE CHART	

*ALL EXTERNAL PIPING MUST BE INDEPENDENTLY SUPPORTED.
 *ONLY BASE FITTINGS TO BE LEFT INSTALLED AT TIME OF SHIPMENT PER SII PROCEDURE.
 ALL DIMENSIONS ARE IN INCHES, NOMINAL, & SUBJECT TO CHANGE WITHOUT NOTICE.
 ALL DIMENSIONS ON ROTATIONAL MOLDED PARTS ARE SUBJECT TO A ± 3% TOLERANCE.