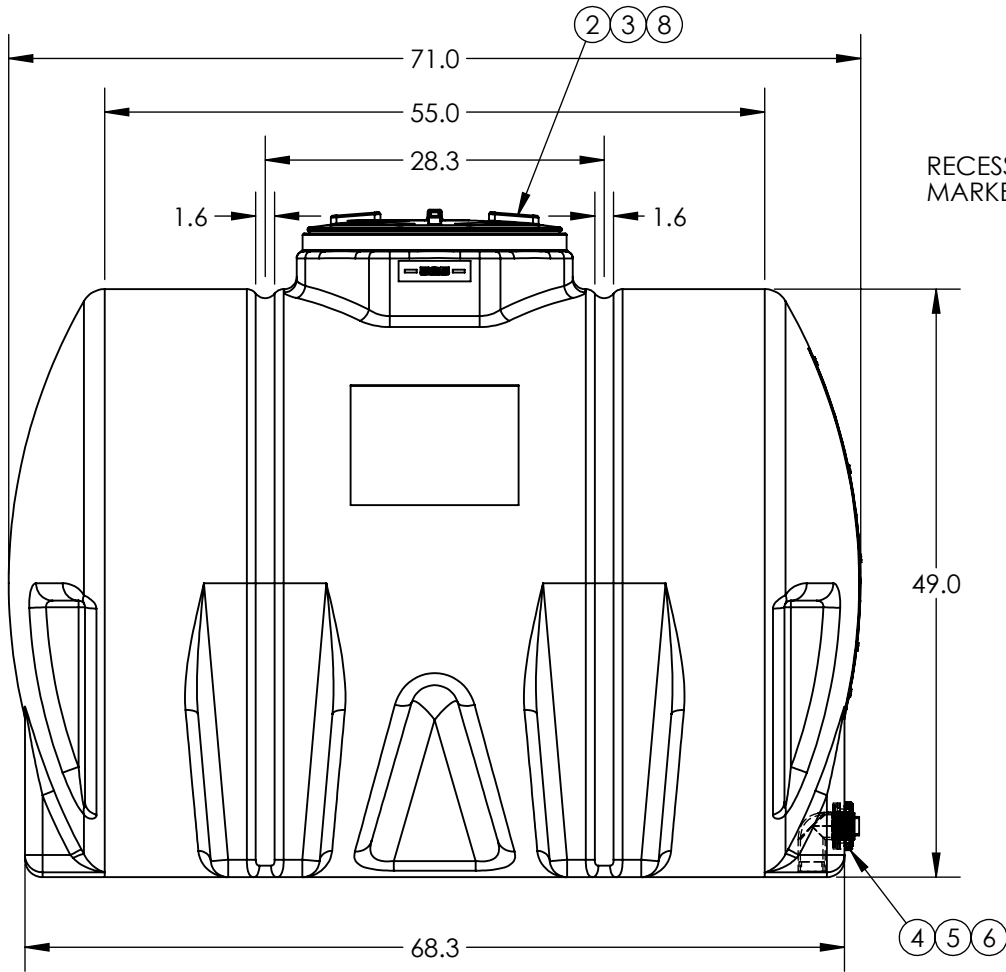
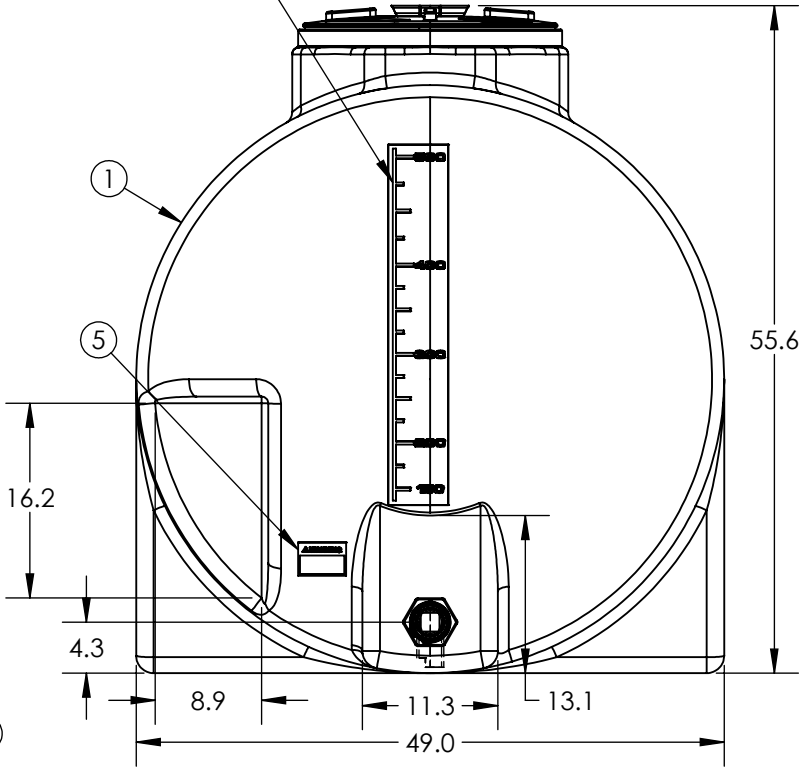


PART NUMBER	TANK COLOR
32398	NATURAL
32860	YELLOW



RECESSED GALLONAGE MARKER, THIS END ONLY



8	1	61848	DECAL AG WARNING - LARGE
7	1	61847	DECAL AG WARNING - SMALL
6	1	60021	2" NPT PLUG
5	1	60335	SIPHON TUBE PP 2IN X 3-3/4LG
4	1	63481	FTG 2IN STD BH PP/EPDM
3	8	60081	SCREW #9 X 1" SS 5"-22" LID
2	1	64448	MANWAY 20IN W/VENT R
1	1	30369-AL	525V X 49 HORIZ LEG R WF AL

***ALL EXTERNAL PIPING MUST BE INDEPENDENTLY SUPPORTED.**
***ONLY BASE FITTINGS TO BE LEFT INSTALLED AT TIME OF SHIPMENT PER SII PROCEDURE.**
ALL DIMENSIONS ARE IN INCHES, NOMINAL, & SUBJECT TO CHANGE WITHOUT NOTICE.
ALL DIMENSIONS ON ROTATIONAL MOLDED PARTS ARE SUBJECT TO A ± 3% TOLERANCE.

ITEM NO.	QTY.	PART NUMBER	DESCRIPTION
DO NOT SCALE		DRAWN BY	REVISION
STATUS: Released		KB	A
© SNYDER INDUSTRIES, LLC, 2020			TITLE: 525 HORIZ LEG R
ALL DIMENSIONS, DESIGNS, AND INFORMATION ON THIS PRINT MUST BE CONSIDERED PROPRIETARY TO SNYDER INDUSTRIES, LLC, AND MAY NOT BE USED, COPIED, OR DISTRIBUTED WITHOUT WRITTEN PERMISSION OF AN OFFICER (OR HIS AGENT) OF THE FIRM.			SHEET 1 OF 1
PART NO. SEE CHART		ENG. ID. A017583	(402) 467-5221 www.snydernet.com