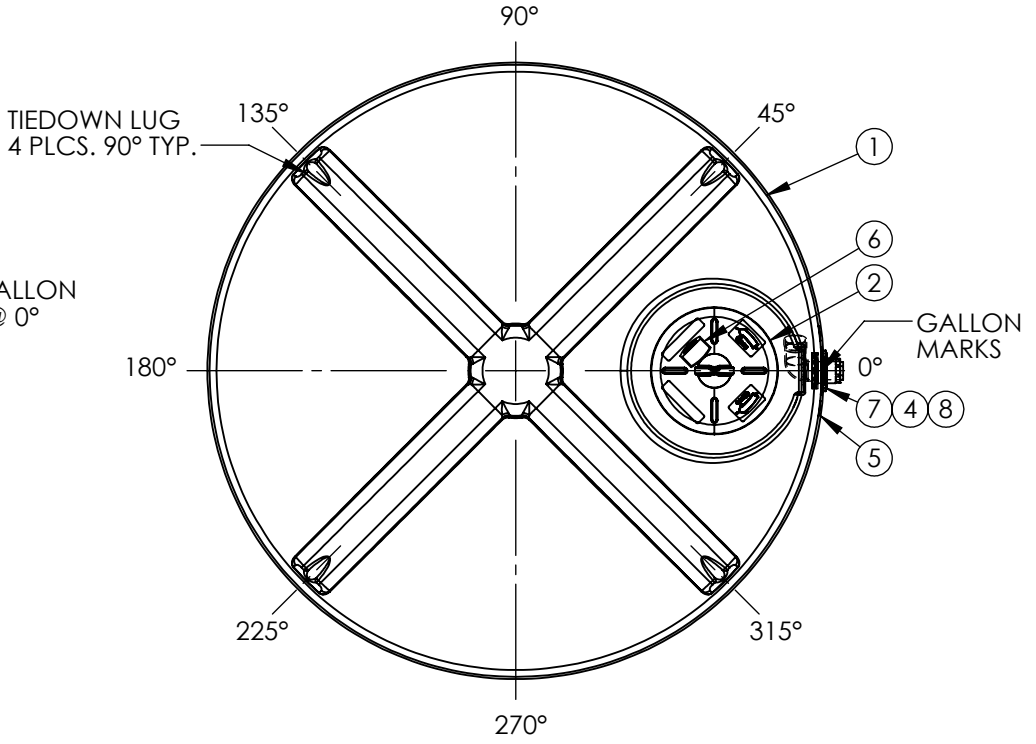
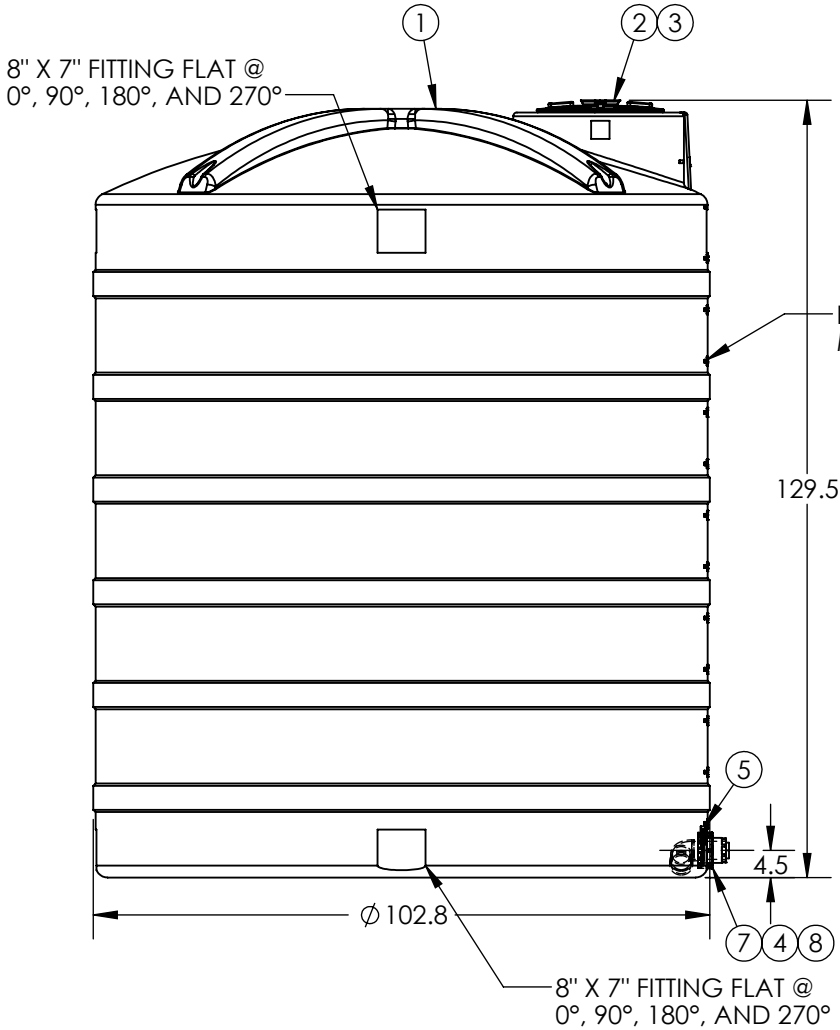


PART NUMBER	TANK COLOR
32319	NATURAL 1.5
32321	BLACK 1.5
32323	NATURAL 1.9
32325	BLACK 1.9



*GALLON MARKS CAN BE REMOVED FOR FITTING PLACEMENT AS NECESSARY.

8	1	60327	SIPHON TUBE 3 X 5-1/2 PP
7	1	62299	FTG PP 3IN BH EPDM TXT
6	1	61848	DECAL AG WARNING - LARGE
5	1	61847	DECAL AG WARNING - SMALL
4	1	60330	REDUCER BUSHING PP 3IN X 2IN
3	8	60081	SCREW #9 X 1" SS 5"-22" LID
2	1	64448	MANWAY 20IN W/VENT R
1	1	30358-ME	4100V X 102 RP

***ALL EXTERNAL PIPING MUST BE INDEPENDENTLY SUPPORTED.**
***ONLY BASE FITTINGS TO BE LEFT INSTALLED AT TIME OF SHIPMENT PER SII PROCEDURE.**
ALL DIMENSIONS ARE IN INCHES, NOMINAL, & SUBJECT TO CHANGE WITHOUT NOTICE.
ALL DIMENSIONS ON ROTATIONAL MOLDED PARTS ARE SUBJECT TO A ± 3% TOLERANCE.

ITEM NO.	PART NUMBER	DESCRIPTION
DO NOT SCALE		DRAWN BY
Released		IGG
© SNYDER INDUSTRIES, LLC, 2019		
STATUS:		TITLE:
Released		4100 V R WF
REVISION		A
SHEET		1 OF 1
PART NO.		ENG. ID.
SEE CHART		A016972



(402) 467-5221
www.snyderemf.com

ALL DIMENSIONS, DESIGNS, AND INFORMATION ON THIS PRINT MUST BE CONSIDERED PROPRIETARY TO SNYDER INDUSTRIES, LLC, AND MAY NOT BE USED, COPIED, OR DISTRIBUTED WITHOUT WRITTEN PERMISSION OF AN OFFICER (OR HIS AGENT) OF THE FIRM.