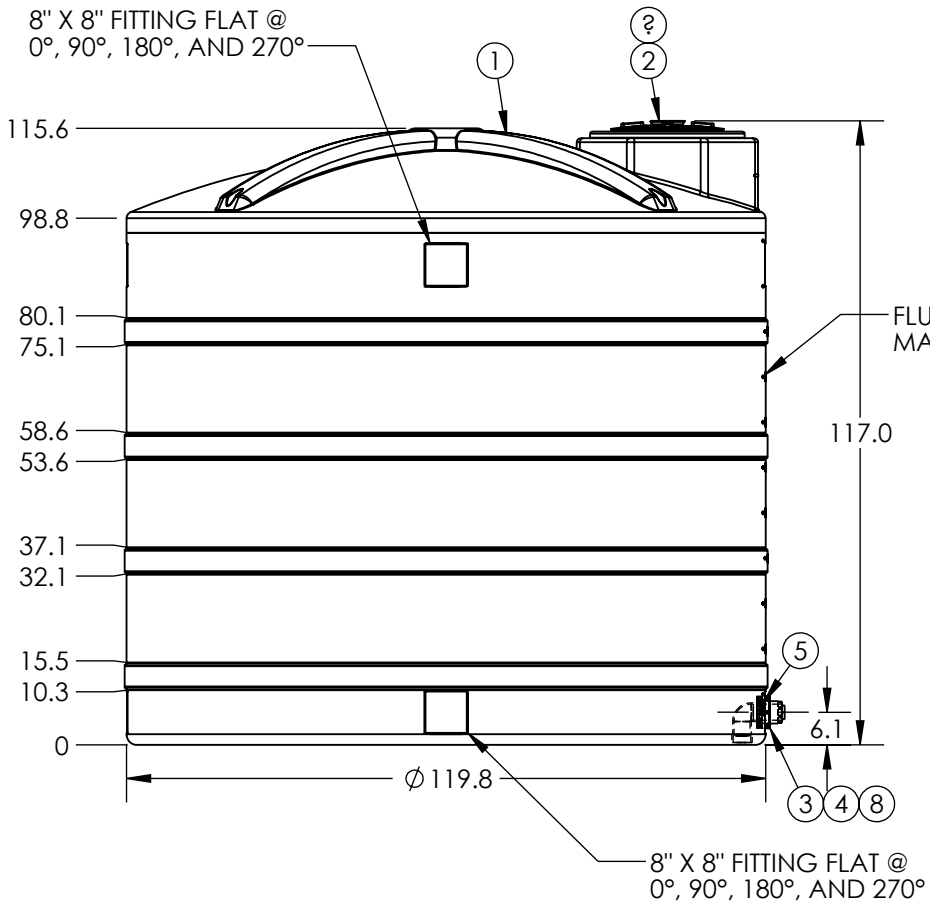
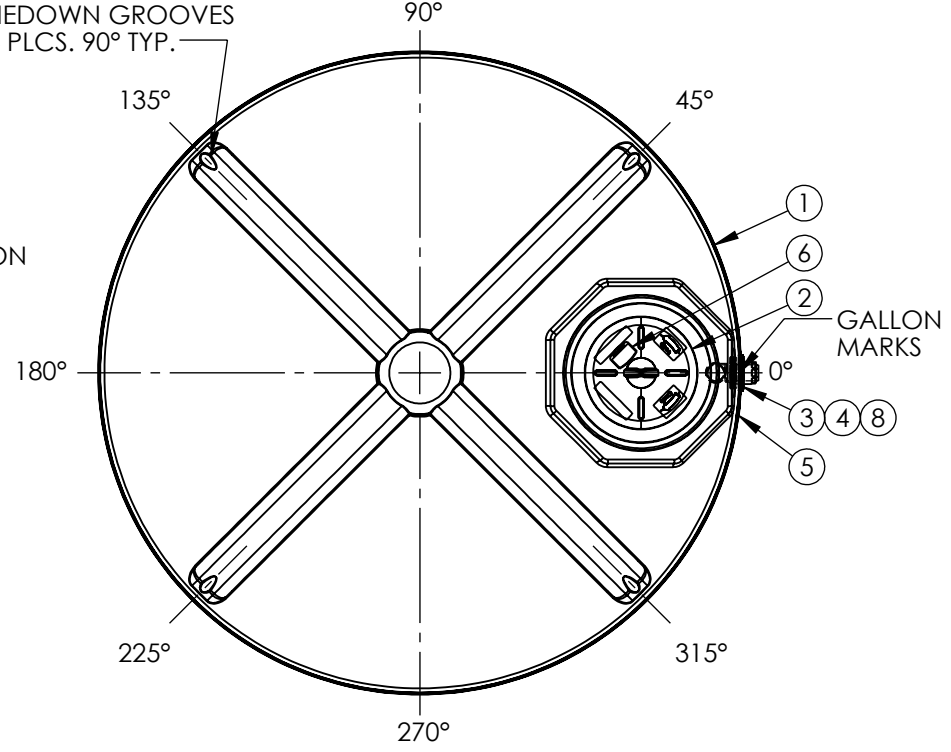


| PART NUMBER | TANK COLOR  |
|-------------|-------------|
| 32360       | BLACK 1.5   |
| 32362       | NATURAL 1.5 |
| 32364       | BLACK 1.9   |
| 32366       | NATURAL 1.9 |




TIEDOWN GROOVES  
4 PLCS. 90° TYP.



**\*GALLON MARKS CAN BE REMOVED FOR FITTING PLACEMENT AS NEEDED.**

| ITEM NO. |   | PART NUMBER | DESCRIPTION                  |
|----------|---|-------------|------------------------------|
| 8        | 1 | 60327       | SIPHON TUBE 3 X 5-1/2 PP     |
| 7        | 8 | 60081       | SCREW #9 X 1" SS 5"-22" LID  |
| 6        | 1 | 61848       | DECAL AG WARNING - LARGE     |
| 5        | 1 | 61847       | DECAL AG WARNING - SMALL     |
| 4        | 1 | 60330       | REDUCER BUSHING PP 3IN X 2IN |
| 3        | 1 | 62299       | FTG PP 3IN BH EPDM TXT       |
| 2        | 1 | 64448       | MANWAY 20IN W/VENT R         |
| 1        | 1 | 30350       | 5000V X 119 RP FW            |

|   |  |   |                 |          |
|---|--|---|-----------------|----------|
| DO NOT SCALE  |  | DRAWN BY  | TITLE:          | REVISION |
| Released  |  | IGG   | 5000 X 119 V WF | B        |
| © TANK HOLDING, CORP, 2022  |  | <br>A BRAND OF<br>TANK HOLDING CORP. |                 | SHEET    |
| ALL DIMENSIONS, DESIGNS, AND INFORMATION ON THIS PRINT MUST BE CONSIDERED PROPRIETARY TO TANK HOLDING, CORP. AND MAY NOT BE USED, COPIED, OR DISTRIBUTED WITHOUT WRITTEN PERMISSION OF AN OFFICER (OR HIS AGENT) OF THE FIRM. |  | (402) 467-5221<br>www.snydermet.com   | PART NO.        | 1 OF 1   |
|   |  | SEE CHART   | ENG. ID.        | A016798  |

**\*FITTINGS ARE CENTERED IN BOTTOM FITTING FLATS & FITTING HEIGHTS MAY VARY.**  
**\*ALL EXTERNAL PIPING MUST BE INDEPENDENTLY SUPPORTED.**  
**\*ONLY BASE FITTINGS TO BE LEFT INSTALLED AT TIME OF SHIPMENT PER SII PROCEDURE.**  
**ALL DIMENSIONS ARE IN INCHES, NOMINAL, & SUBJECT TO CHANGE WITHOUT NOTICE.**  
**ALL DIMENSIONS ON ROTATIONAL MOLDED PARTS ARE SUBJECT TO A ± 3% TOLERANCE.**