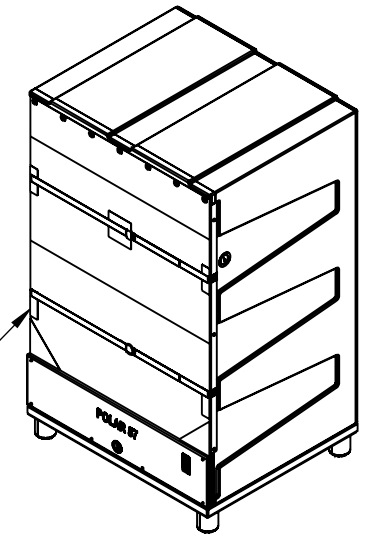


#	BUNKER OPTIONS	PART #
<input type="checkbox"/> 1	PB57 ICE BUNKER	1931600M

#	BASE OPTIONS	PART #
<input type="checkbox"/> 1	PB55/57 BASE	34702857

ADDITIONAL OPTIONS	PART #
<input type="checkbox"/> POLAR TEMPERATURE GAUGE	34702328



DOOR OPTIONS	PART #	#
DOOR w/ SILL	34702641/34702857	1 <input type="checkbox"/>
FULL DOOR	34702864	2 <input type="checkbox"/>

ALL DIMENSIONS ARE IN INCHES, NOMINAL, & SUBJECT TO CHANGE WITHOUT NOTICE.
ALL DIMENSIONS ON ROTATIONAL MOLDED PARTS ARE SUBJECT TO A ± 3% TOLERANCE.

DO NOT SCALE		DRAWN BY	 A BRAND OF TANK HOLDING CORP. 1005 Atlantic Drive West Chicago, IL 60185 (630)293-0303 www.bonarplastics.com	TITLE:	ASM INSUL BIN PB57	REVISION	A SHEET 1 OF 1
STATUS:	Released	IGG		PART NO.		1931900M	
© TANK HOLDING, CORP, 2023			<small>ALL DIMENSIONS, DESIGNS, AND INFORMATION ON THIS PRINT MUST BE CONSIDERED PROPRIETARY TO TANK HOLDING, CORP. AND MAY NOT BE USED, COPIED, OR DISTRIBUTED WITHOUT WRITTEN PERMISSION OF AN OFFICER (OR HIS AGENT) OF THE FIRM.</small>				