

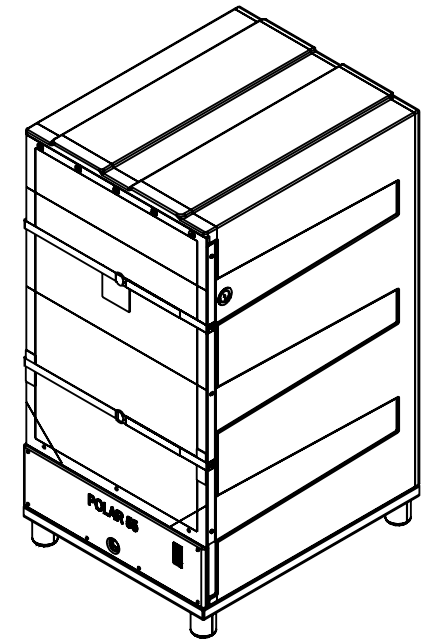
DOOR OPTIONS	PART #
<input type="checkbox"/> DOOR w/ SILL	34702858 / 34702859
<input type="checkbox"/> FULL DOOR	34702860

SHELF OPTIONS	PART #
<input type="checkbox"/> 4-TAB HEAVY DUTY	34702579

BUNKER OPTIONS	PART #
<input type="checkbox"/> PB55 ICE BUNKER	1932700M

BASE OPTIONS	PART #
<input type="checkbox"/> PB55/57 BASE	34702857

ADDITIONAL OPTIONS	PART #
<input type="checkbox"/> POLAR TEMPERATURE GAUGE	34702328



ALL DIMENSIONS ARE IN INCHES, NOMINAL, & SUBJECT TO CHANGE WITHOUT NOTICE.  
ALL DIMENSIONS ON ROTATIONAL MOLDED PARTS ARE SUBJECT TO A ± 3% TOLERANCE.

DO NOT SCALE		DRAWN BY	TITLE:		REVISION
STATUS: <b>Released</b>		IGG	<b>ASM INSUL BIN PB55</b>		<b>A</b>
© TANK HOLDING, CORP. 2023		 A BRAND OF TANK HOLDING CORP. 1005 Atlantic Drive West Chicago, IL 60185 (630)293-0303 <a href="http://www.bonarplastics.com">www.bonarplastics.com</a>		SHEET 1 OF 1	
		PART NO.	ENG. ID.		
		<b>1931400M</b>	<b>A011173</b>		