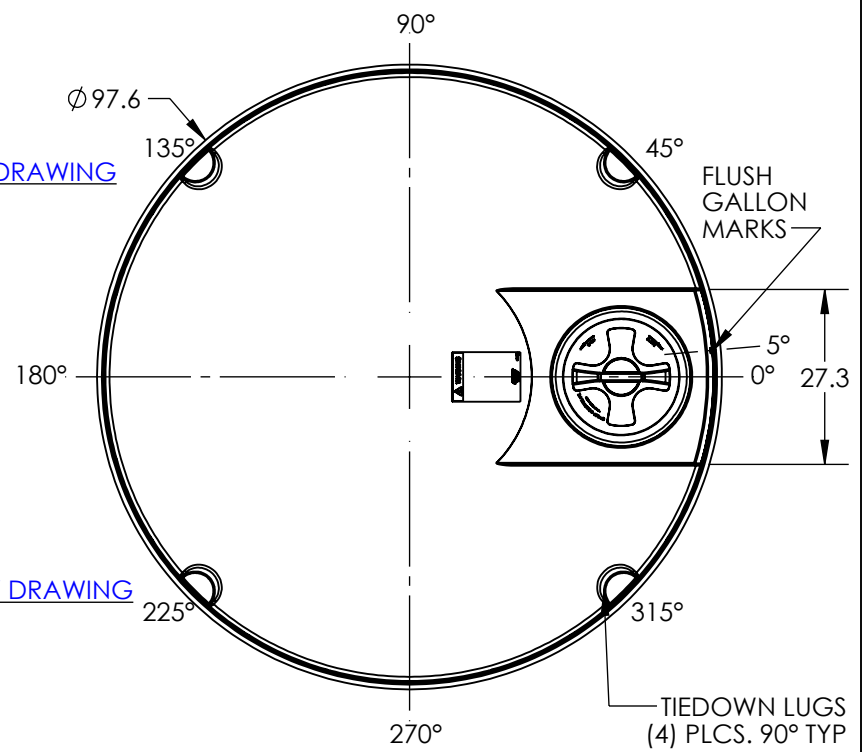


TANK ONLY DRAWING

STAND ONLY DRAWING



\*ALL EXTERNAL PIPING MUST BE INDEPENDENTLY SUPPORTED.  
 \*ONLY BASE FITTINGS TO BE LEFT INSTALLED AT TIME OF SHIPMENT PER THC PROCEDURE.  
 \*TANKS ORDERED WITH FOAM INSULATION WILL HAVE AN INCREASED DIAMETER OF 4-6 INCHES.  
 \*Consult THC Guidelines for Use and Installation prior to delivery.  
 Available on-line at <http://www.snyderindustriestanks.com/Technical>  
 ALL DIMENSIONS ARE IN INCHES, NOMINAL, & SUBJECT TO CHANGE WITHOUT NOTICE.  
 ALL DIMENSIONS ON ROTATIONAL MOLDED PARTS ARE SUBJECT TO A ± 3% TOLERANCE.

DO NOT SCALE		DRAWN BY	 A BRAND OF TANK HOLDING CORP.	TITLE:	REVISION
STATUS:	Released	IGG		2600 GALLON CONE BOTTOM TANK W/ PE STAND	B
© TANK HOLDING, CORP, 2024			(402) 467-5221 <a href="http://www.snydermet.com">www.snydermet.com</a>	PART NO.	SHEET
ALL DIMENSIONS, DESIGNS, AND INFORMATION ON THIS PRINT MUST BE CONSIDERED PROPRIETARY TO TANK HOLDING, CORP. AND MAY NOT BE USED, COPIED, OR DISTRIBUTED WITHOUT WRITTEN PERMISSION OF AN OFFICER (OR HIS AGENT) OF THE FIRM.			8350000C & 40553	ENG. ID.	1 OF 1
				A011112	