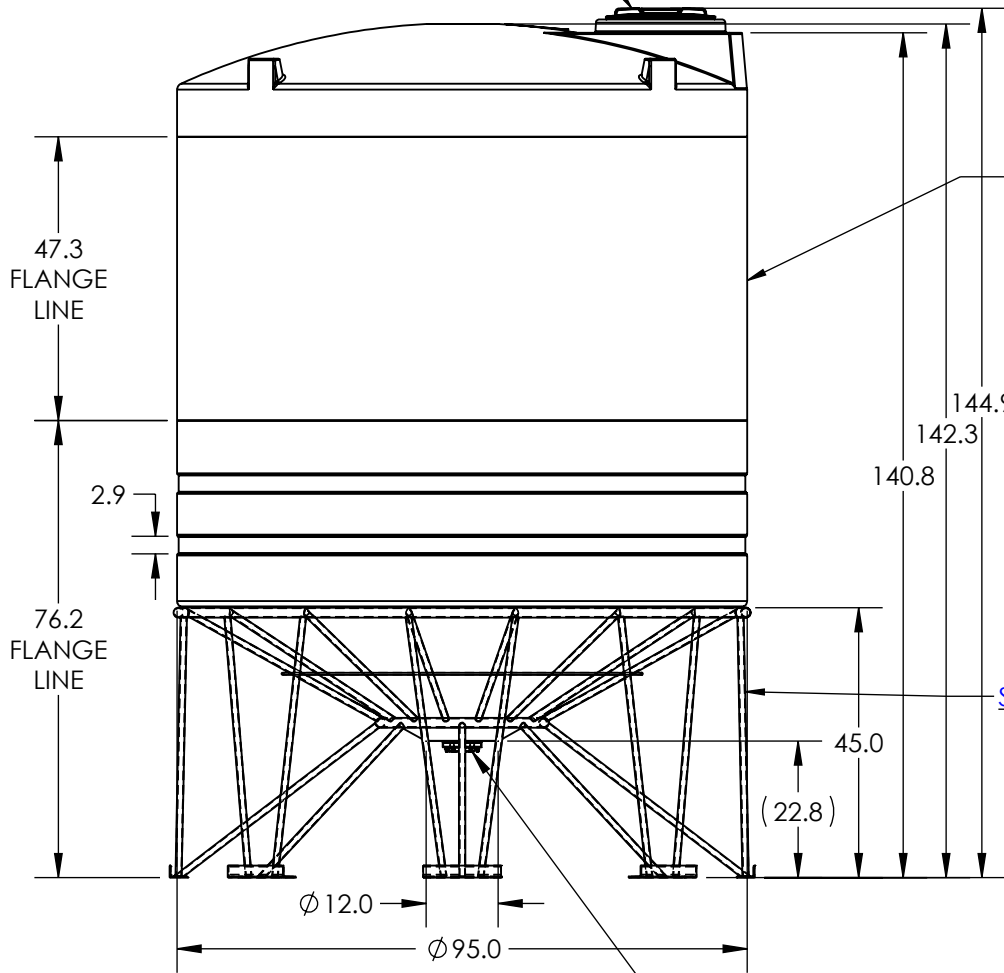
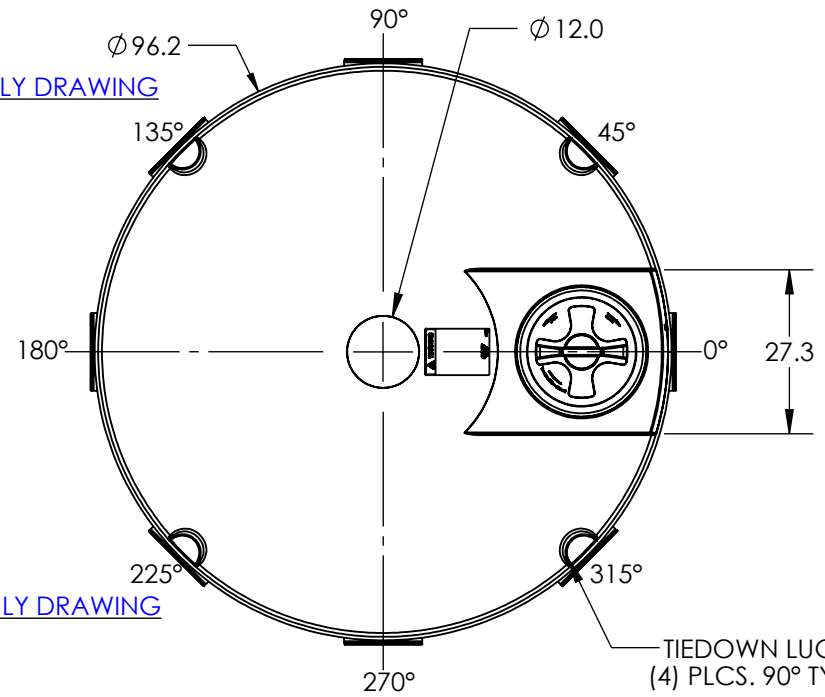


18" PE THREADED/VENTED  
MANWAY w/ 15" ACCESS



TANK ONLY DRAWING



STAND ONLY DRAWING

TIEDOWN LUGS  
(4) PLCS. 90° TYP

3" PP TXT BOLTED BOTTOM  
DRAIN FITTING w/ EPDM GASKET

\*ALL EXTERNAL PIPING MUST BE INDEPENDENTLY SUPPORTED.  
 \*ONLY BASE FITTINGS TO BE LEFT INSTALLED AT TIME OF SHIPMENT PER THC PROCEDURE.  
 \*TANKS ORDERED WITH FOAM INSULATION WILL HAVE AN INCREASED DIAMETER OF 4-6 INCHES.  
 \*Consult THC Guidelines for Use and Installation prior to delivery.  
 Available on-line at <http://www.snyderindustriestanks.com/Technical>  
 ALL DIMENSIONS ARE IN INCHES, NOMINAL, & SUBJECT TO CHANGE WITHOUT NOTICE.  
 ALL DIMENSIONS ON ROTATIONAL MOLDED PARTS ARE SUBJECT TO A ± 3% TOLERANCE.

DO NOT SCALE		DRAWN BY	 A BRAND OF TANK HOLDING CORP.	TITLE:	<b>3000 GALLON CONE BOTTOM TANK W/ STAND</b>	REVISION
STATUS:	<b>Released</b>	IGG		ENG. ID.		
© TANK HOLDING, CORP, 2024			(402) 467-5221 <a href="http://www.snydermet.com">www.snydermet.com</a>	PART NO.	<b>8360000C &amp; 78401000</b>	SHEET 1 OF 1
				ENG. ID.	<b>A008771</b>	