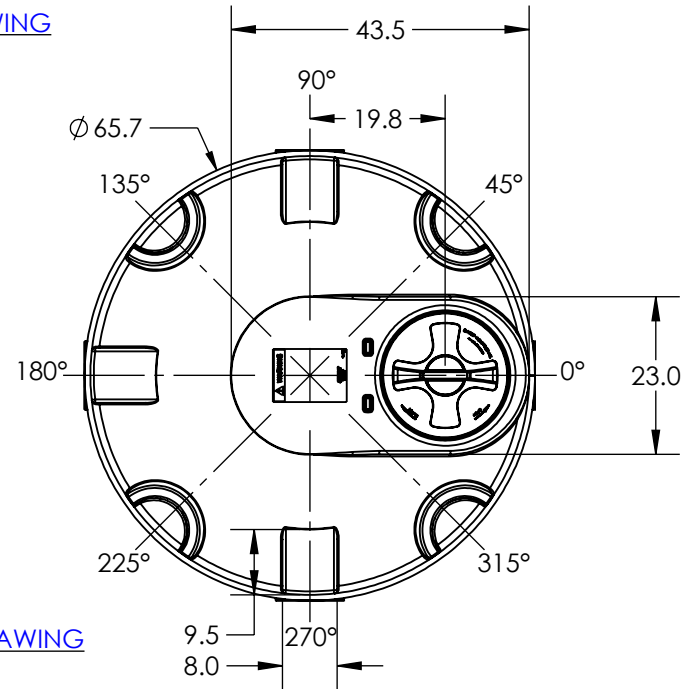


TANK ONLY DRAWING

STAND ONLY DRAWING



**\*ALL EXTERNAL PIPING MUST BE INDEPENDENTLY SUPPORTED.**  
**\*ONLY BASE FITTINGS TO BE LEFT INSTALLED AT TIME OF SHIPMENT PER SII PROCEDURE.**  
**ALL DIMENSIONS ARE IN INCHES, NOMINAL, & SUBJECT TO CHANGE WITHOUT NOTICE.**  
**ALL DIMENSIONS ON ROTATIONAL MOLDED PARTS ARE SUBJECT TO A ± 3% TOLERANCE.**

DO NOT SCALE		DRAWN BY		TITLE:		REVISION	
STATUS: <b>Released</b>		IGG		<b>ESTI SNYDER INDUSTRIES</b> A BRAND OF TANK HOLDING CORP.		<b>A</b>	
© TANK HOLDING, CORP, 2022				PART NO. <b>501000C &amp; 7880000</b>		ENG. ID. <b>A008745</b>	
ALL DIMENSIONS, DESIGNS, AND INFORMATION ON THIS PRINT MUST BE CONSIDERED PROPRIETARY TO TANK HOLDING, CORP. AND MAY NOT BE USED, COPIED, OR DISTRIBUTED WITHOUT WRITTEN PERMISSION OF AN OFFICER (OR HIS AGENT) OF THE FIRM.				[402] 467-5221 www.snydermet.com		SHEET 1 OF 1	