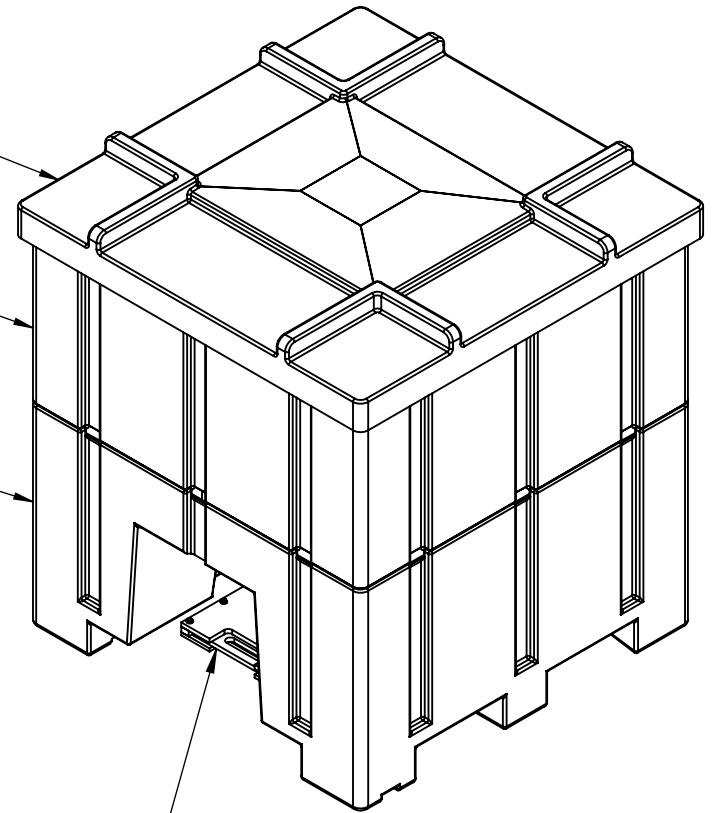


COVER ONLY  
DRAWING

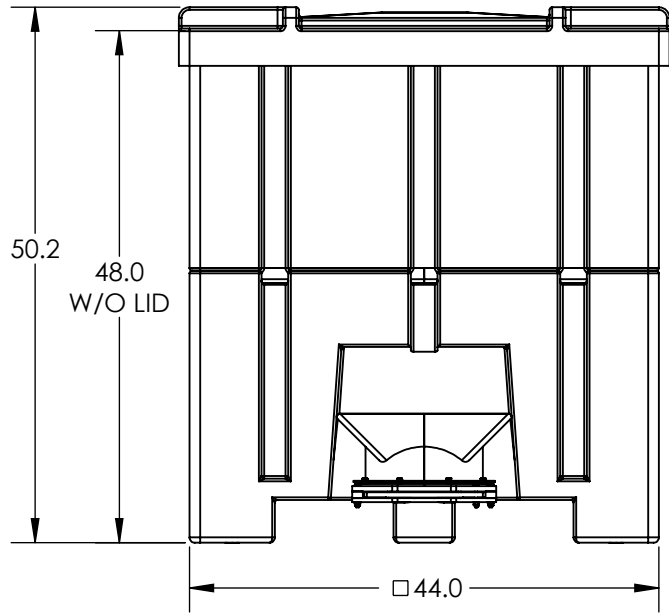
BOTTLE ONLY  
DRAWING

BASE ONLY  
DRAWING



SLIDEGATE OPTIONS:

- STANDARD SLIDEGATE - [34701850](#)
- QUICK SLIDEGATE - [35902614](#)
- SLIDEGATE W/COLLAR - [34702005](#)



ALL DIMENSIONS ARE IN INCHES, NOMINAL, & SUBJECT TO CHANGE WITHOUT NOTICE.  
ALL DIMENSIONS ON ROTATIONAL MOLDED PARTS ARE SUBJECT TO A  $\pm$  3% TOLERANCE.

4	1	34701850	ASM SLIDE GATE 10IN 8090STD
3	1	6392400M__01	COVER 8090 HPR
2	1	6392100M__01	BASE 8090 HPR
1	1	6375300M__01	HPR 8090 BTM DSCRG OT
ITEM NO.	QTY.	PART NUMBER	DESCRIPTION
DO NOT SCALE		DRAWN BY	TITLE:
STATUS: <b>Released</b>		IGG	<b>ASM HPR 8090 BTM DSCRG OT</b>
© SNYDER INDUSTRIES, LLC, 2020		1005 Atlantic Drive West Chicago, IL 60185 (630)293-0303	REVISION <b>A</b>
ALL DIMENSIONS, DESIGNS, AND INFORMATION ON THIS PRINT MUST BE CONSIDERED PROPRIETARY TO SNYDER INDUSTRIES, LLC, AND MAY NOT BE USED, COPIED, OR DISTRIBUTED WITHOUT WRITTEN PERMISSION OF AN OFFICER (OR HIS AGENT) OF THE FIRM.		www.bonarplastics.com	SHEET 1 OF 1
		PART NO. <b>6375300M</b>	ENG. ID. <b>A004614</b>