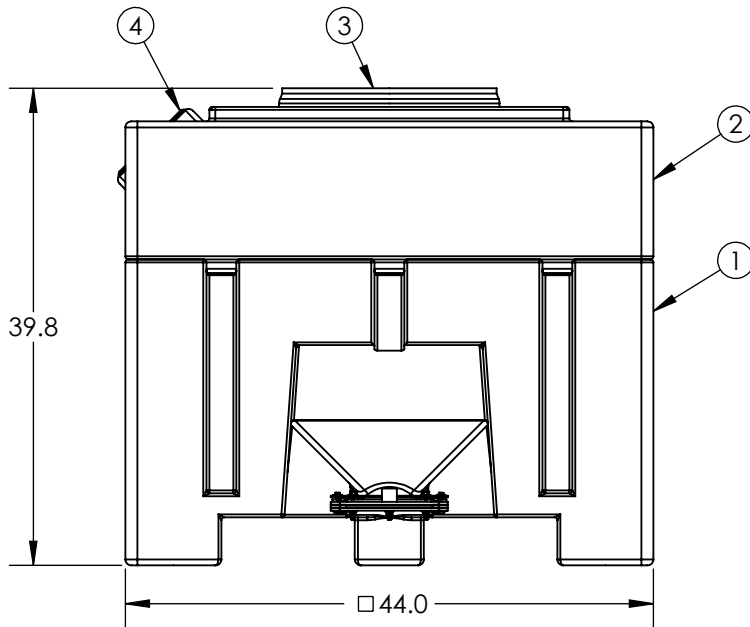


BOTTLE ONLY
DRAWING

BASE ONLY
DRAWING

SLIDEGATE OPTIONS:

STANDARD SLIDEGATE - [34701851](#)
IRIS SLIDEGATE - [34702197](#)



5	1	34701851	6" SLIDE GATE 8089, 8091, 8092
4	1	34701862	ASM CAP PE 6IN SOLID WHT SANTO
3	1	34100411	COVER PP MANHOLE W/GASKET/STRAP
2	1	6377100M__01	HPR 8091 BTM DSCRG CT 6IN SIDE OPN
1	1	6392100M__01	BASE 8090 HPR

ITEM NO.	Default /QTY.	PART NUMBER	DESCRIPTION	
DO NOT SCALE		DRAWN BY	TITLE:	
STATUS: Released		IGG	ASM HPR 8091 6IN SIDE OPN STD SG	
© SNYDER INDUSTRIES INC., 2015		1005 Atlantic Drive West Chicago, IL 60185 (630)293-0303 www.bonarplastics.com		REVISION
ALL DIMENSIONS, DESIGNS, AND INFORMATION ON THIS PRINT MUST BE CONSIDERED PROPRIETARY TO SNYDER INDUSTRIES, INC. AND MAY NOT BE USED, COPIED, OR DISTRIBUTED WITHOUT WRITTEN PERMISSION OF AN OFFICER (OR HIS AGENT) OF THE FIRM.		PART NO.	ENG. ID.	SHEET
		6377100M	A004610	A 1 OF 1

ALL DIMENSIONS ARE IN INCHES, NOMINAL, & SUBJECT TO CHANGE WITHOUT NOTICE.
ALL DIMENSIONS ON ROTATIONAL MOLDED PARTS ARE SUBJECT TO A ± 3% TOLERANCE.