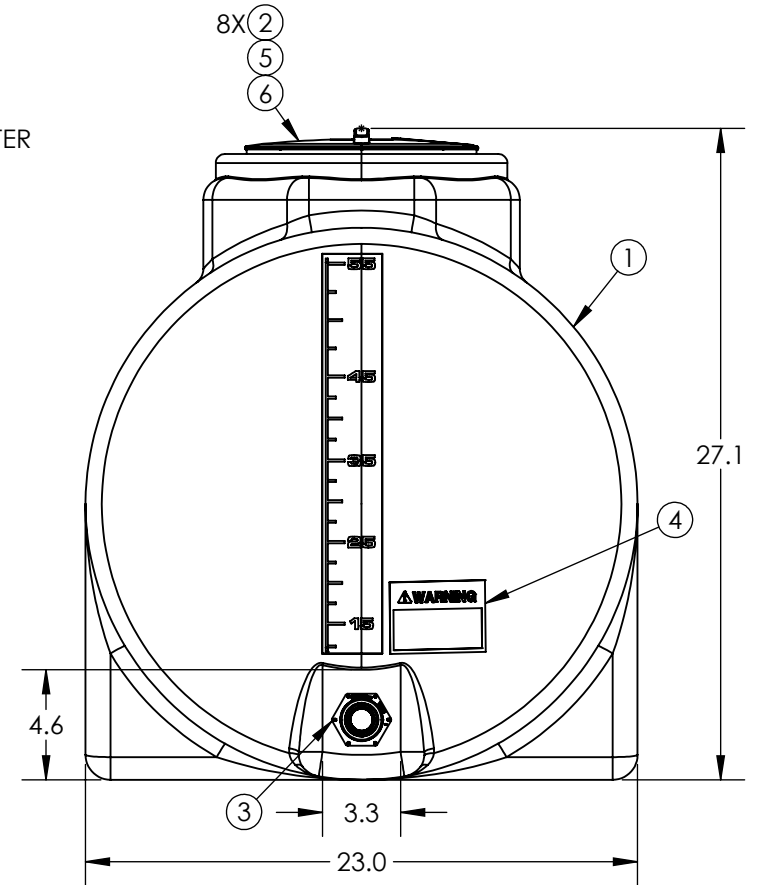
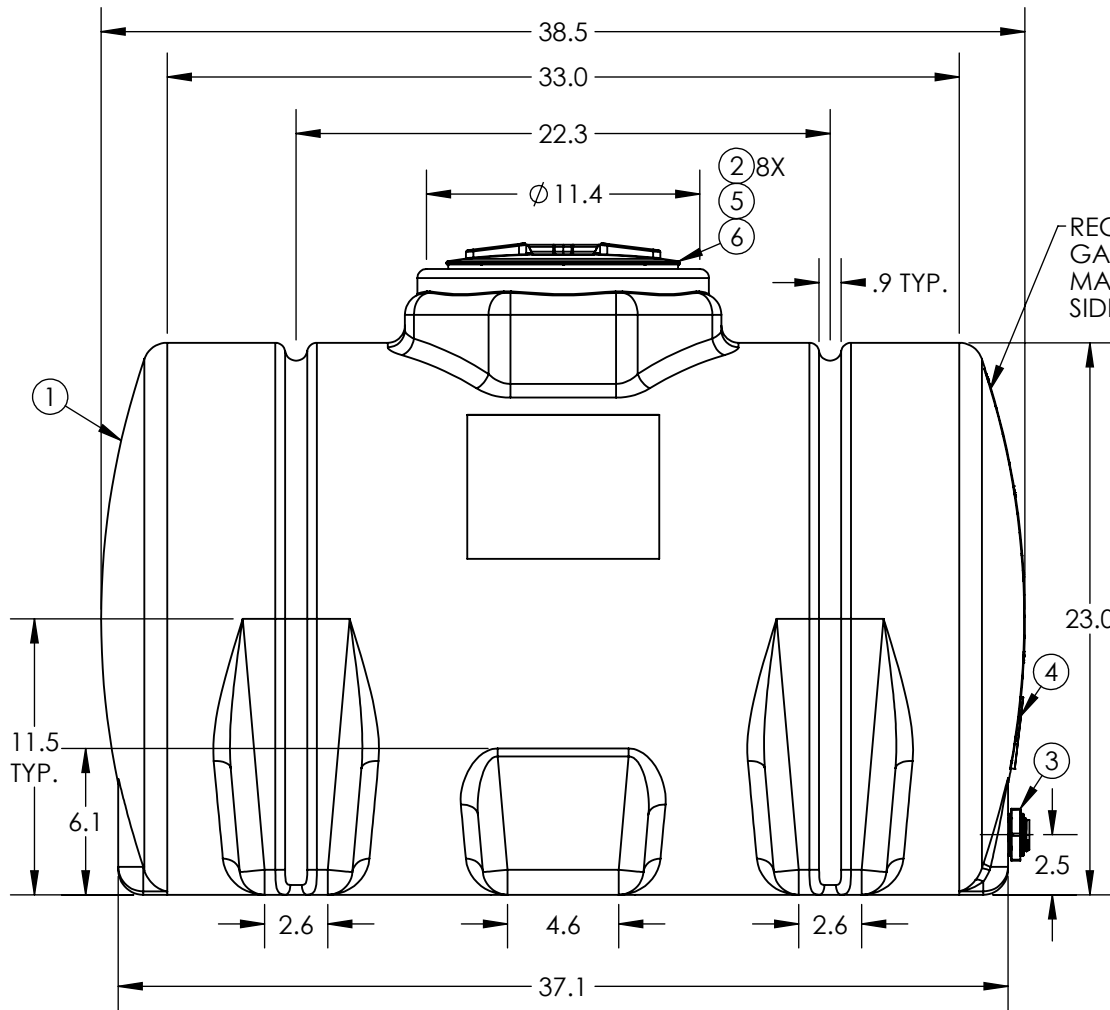


PART NUMBER	MATERIAL
32414	NATURAL 1.5 SG
32416	NATURAL 1.9 SG



6	1	64451	LID 8 W/RING W/VENT R
5	1	61848	DECAL AG WARNING - LARGE
4	1	61847	DECAL AG WARNING - SMALL
3	1	60401	FTG 3/4IN BH PP/EPDM
2	8	60081	SCREW #9 X 1" SS 5"-22" LID
1	1	30379	55 HORIZ LEG R

ITEM NO.	QTY.	PART NUMBER	DESCRIPTION
DO NOT SCALE			
STATUS: Released			
© TANK HOLDING, CORP, 2026			
TITLE:		55 HORIZ LEG R NAT	
REVISION		A	
PART NO.		SEE CHART	
ENG. ID.		30379	

*ALL EXTERNAL PIPING MUST BE INDEPENDENTLY SUPPORTED.
 *ONLY BASE FITTINGS TO BE LEFT INSTALLED AT TIME OF SHIPMENT PER THC PROCEDURE.
 ALL DIMENSIONS ARE IN INCHES, NOMINAL, & SUBJECT TO CHANGE WITHOUT NOTICE.
 ALL DIMENSIONS ON ROTATIONAL MOLDED PARTS ARE SUBJECT TO A ± 3% TOLERANCE.

ALL DIMENSIONS, DESIGNS, AND INFORMATION ON THIS PRINT MUST BE CONSIDERED PROPRIETARY TO TANK HOLDING, CORP. AND MAY NOT BE USED, COPIED, OR DISTRIBUTED WITHOUT WRITTEN PERMISSION OF AN OFFICER (OR HIS AGENT) OF THE FIRM.



www.tankholding.com

REVISION
A
 SHEET
 1 OF 1