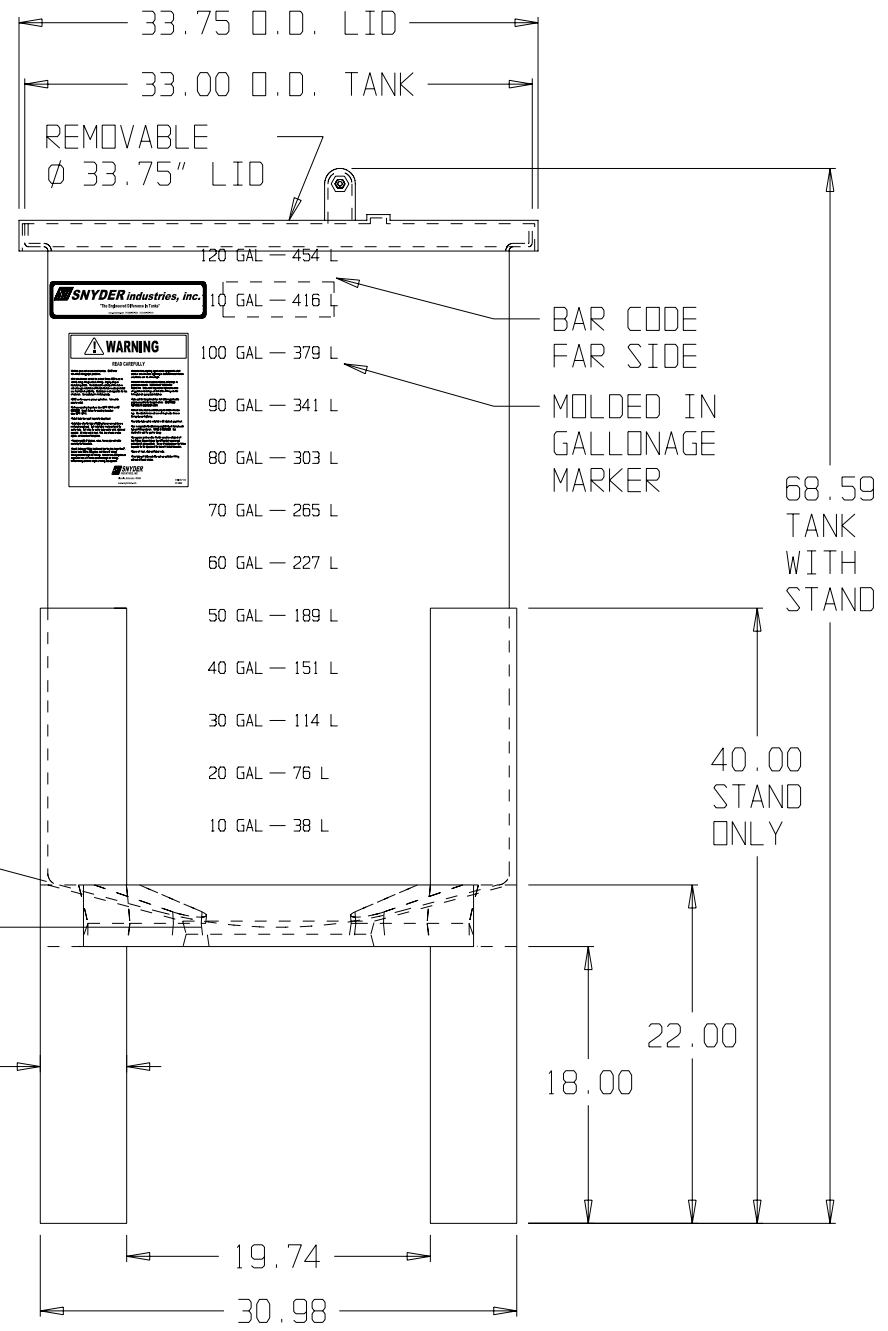


TOP VIEW

REMOVABLE  
33.75" Ø LID



FRONT VIEW

33.75 O.D. LID  
33.00 O.D. TANK  
REMOVABLE  
Ø 33.75" LID

120 GAL - 454 L

**SNYDER Industries, Inc.**  
The Hazard Reduction Specialist



- 10 GAL - 416 L
- 100 GAL - 379 L
- 90 GAL - 341 L
- 80 GAL - 303 L
- 70 GAL - 265 L
- 60 GAL - 227 L
- 50 GAL - 189 L
- 40 GAL - 151 L
- 30 GAL - 114 L
- 20 GAL - 76 L
- 10 GAL - 38 L

BAR CODE  
FAR SIDE  
MOLDED IN  
GALLONAGE  
MARKER

68.59  
TANK  
WITH  
STAND

40.00  
STAND  
ONLY

18.00

22.00

5.62

MAX 15°

19.74

30.98

\* BASE FITTINGS TO BE LEFT INSTALLED AT TIME OF SHIPMENT PER SII PROCEDURE  
\* Consult Snyder's Guidelines for Use and Installation prior to delivery.  
Available on-line at [www.snydernet.com](http://www.snydernet.com)

PATENT #7,059,575

(all dimensions in inches)

PART # TANK: 581000N--L

STAND: 1690001N--L

REF#: 0000

01/05/04

120 GALLON OPEN TOP TOTAL DRAIN TANK W/30" x 18" STAND