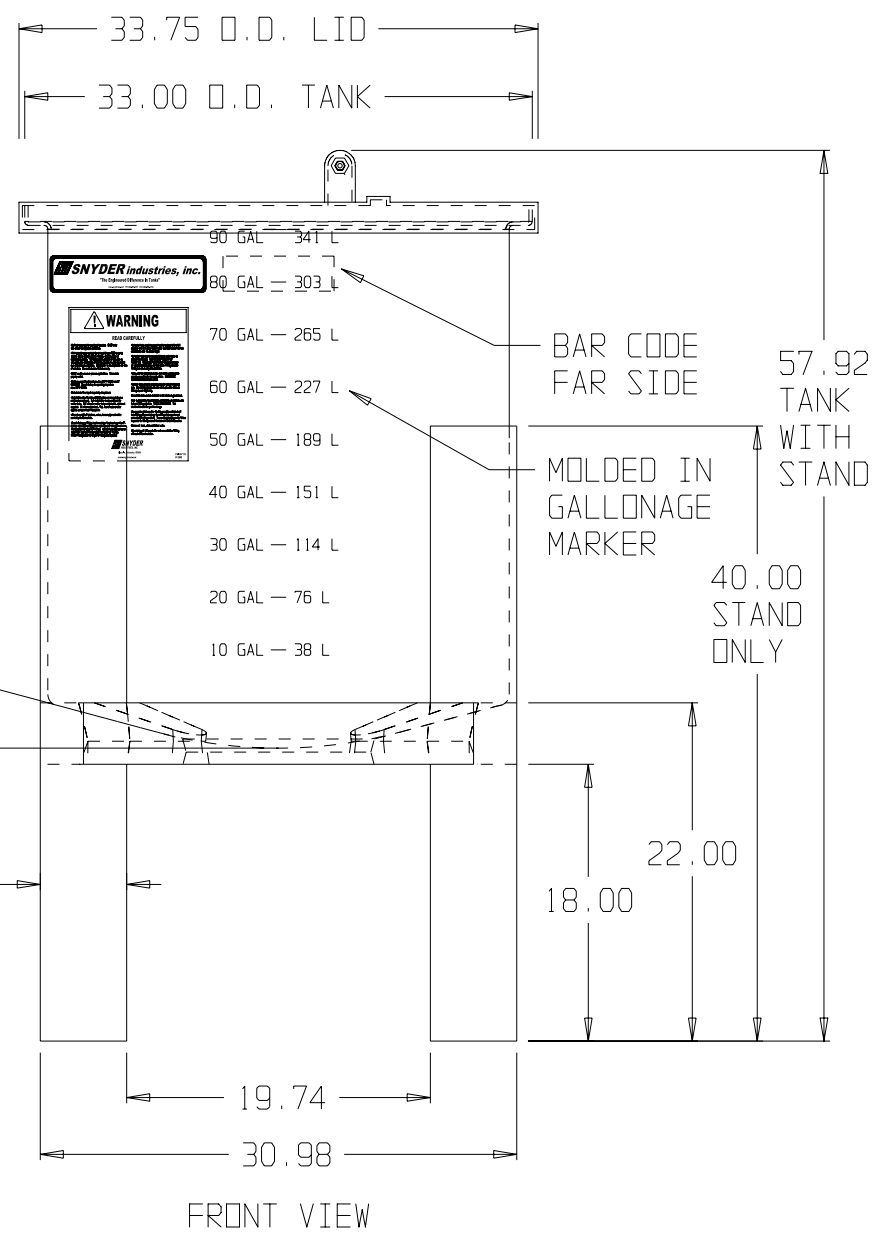


TOP VIEW



FRONT VIEW

* BASE FITTINGS TO BE LEFT INSTALLED AT TIME OF SHIPMENT PER SII PROCEDURE
 * Consult Snyder's Guidelines for Use and Installation prior to delivery.
 Available on-line at www.snydernet.com

PATENT #7,059,575

(all dimensions in inches)

PART # TANK: 580000N--L

REF#: 0000 STAND: 1690001N--L
 01/05/04

90 GALLON OPEN TOP TOTAL DRAIN TANK W/30" x 18" STAND