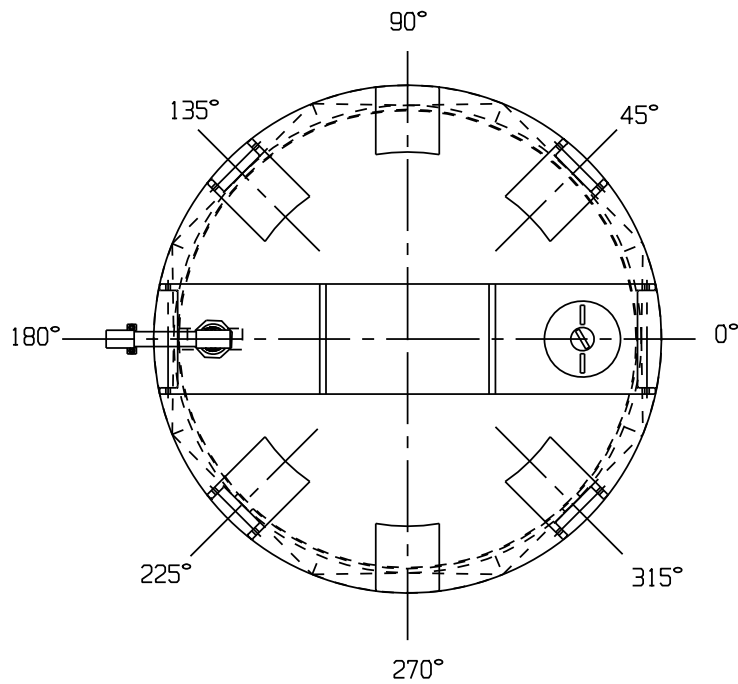


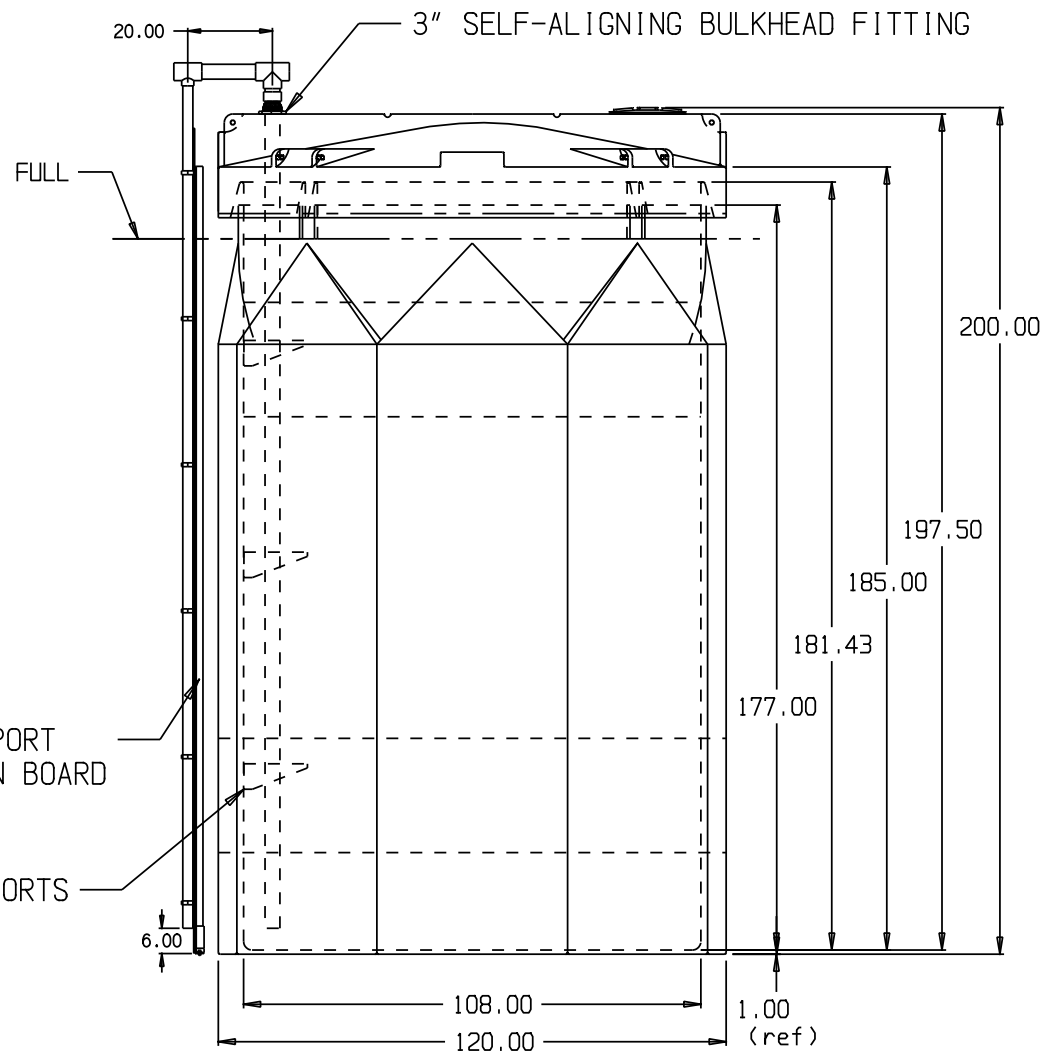
# REVERSE LEVEL GAUGE FOR CAPTOR TANKS EXAMPLE

SNYDER INDUSTRIES INC.



FRP STRUT EXTERNAL SUPPORT  
w/ OPTIONAL CALIBRATION BOARD

PE WELDED INTERNAL SUPPORTS  
NOTE: ONLY AVAILABLE ON HDLPE CAPTORS.  
NOTE: SUPPORTS REQUIRED EVERY 5 FEET.



(all dimensions in inches)

PART #	PRIMARY:	5670000Nxxxxx
	CONTAINMENT:	5650000Nxxxxx
REF#:	xxxxx	03/16/09

\* BASE FITTINGS TO BE LEFT INSTALLED AT TIME OF SHIPMENT PER SII PROCEDURE  
\* Consult Snyder's Guidelines for Use and Installation prior to delivery.  
Available on-line at [www.snydernet.com](http://www.snydernet.com)

**6,500 GALLON CCS w/ FLOAT GAUGE**