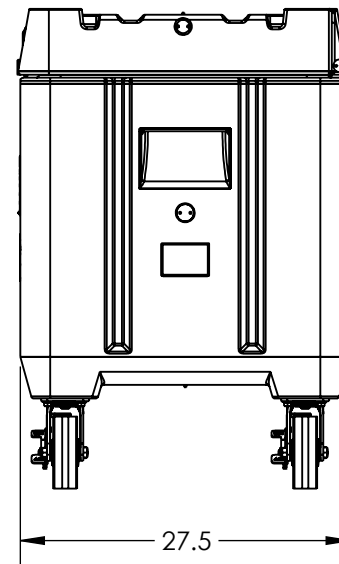
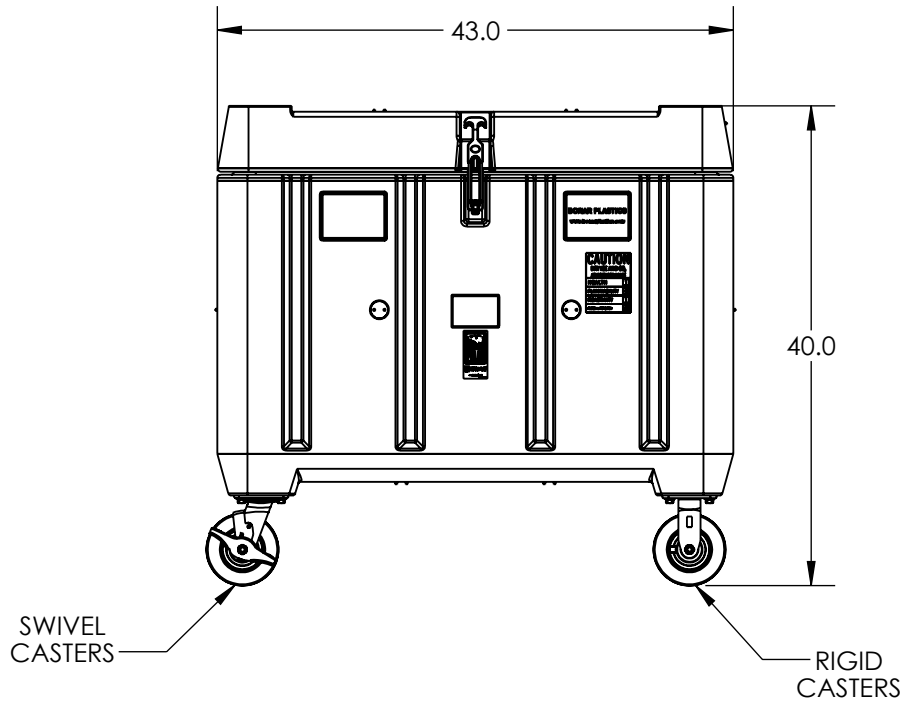


INTERNAL DIMENSIONS:

L = 36.51"

W = 20.38"

H = 24.50"



ALL DIMENSIONS ARE IN INCHES, NOMINAL, & SUBJECT TO CHANGE WITHOUT NOTICE.  
 ALL DIMENSIONS ON ROTATIONAL MOLDED PARTS ARE SUBJECT TO A ± 3% TOLERANCE.

DO NOT SCALE		DRAWN BY	 A BRAND OF TANK HOLDING CORP. 1005 Atlantic Drive West Chicago, IL 60185 (630)293-0303 <a href="http://www.bonarplastics.com">www.bonarplastics.com</a>	TITLE:	<b>ASM INSUL BIN PB11 DXH-                  HLC GSKT</b>	REVISION
STATUS:	<b>Released</b>	TJK		A		
© TANK HOLDING, CORP, 2023				PART NO.	<b>1934400M__08</b>	ENG. ID.
<small>ALL DIMENSIONS, DESIGNS, AND INFORMATION ON THIS PRINT MUST BE CONSIDERED PROPRIETARY TO TANK HOLDING, CORP. AND MAY NOT BE USED, COPIED, OR DISTRIBUTED WITHOUT WRITTEN PERMISSION OF AN OFFICER (OR HIS AGENT) OF THE FIRM.</small>						<b>D011987</b>
						SHEET
						1 OF 1