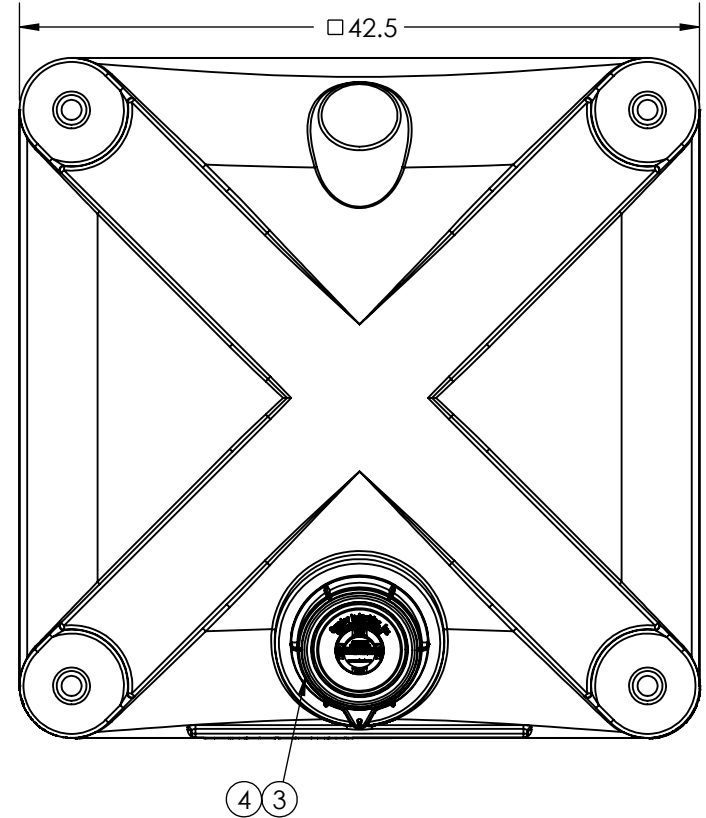
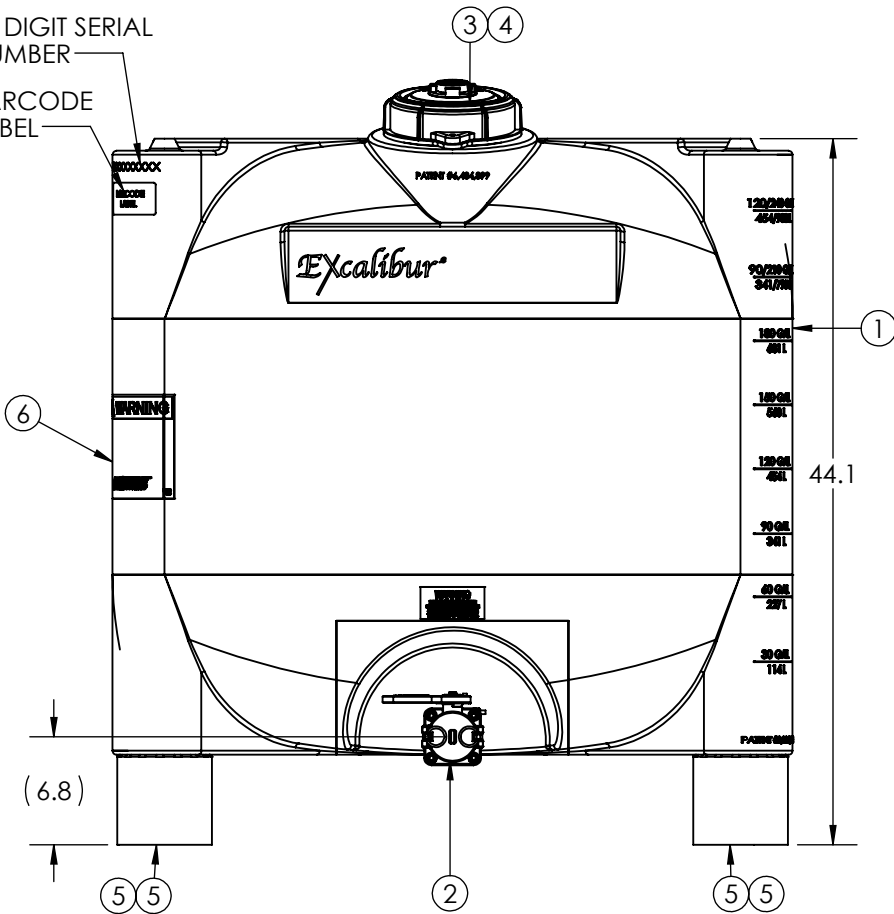


10 DIGIT SERIAL NUMBER

BARCODE LABEL



LOGO PLATE TO READ:



!! THIS IS A NON U.N. TANK NO U.N. MARKINGS SHOULD BE PRESENT !!

ALL DIMENSIONS ARE IN INCHES, NOMINAL, & SUBJECT TO CHANGE WITHOUT NOTICE.
ALL DIMENSIONS ON ROTATIONAL MOLDED PARTS ARE SUBJECT TO A ± 3% TOLERANCE.

6	1	34701648	STD IBC ASSEMBLY KIT - NO BAG
5	4	34300341	EXCAL2 FOOT BLACK
4	1	34700822	ASM VENT PE 2IN VACUUM SII W/EPDM
3	1	34300314	CAP 6IN HDLPE W/2IN NPS W/EPDM
2	1	34702616	ASM VALVE 2IN 4-BOLT STUBBY 100KPA
1	1	6520019B96001	TK 250 EXCAL2 NAT ORB 1.35 EPDM NUN
ITEM NO.	QTY.	PART NUMBER	DESCRIPTION
STATUS: Released		DO NOT SCALE	DRAWN BY: SB
© SNYDER INDUSTRIES, LLC, 2021			
<small>ALL DIMENSIONS, DESIGNS, AND INFORMATION ON THIS PRINT MUST BE CONSIDERED PROPRIETARY TO SNYDER INDUSTRIES, LLC, AND MAY NOT BE USED, COPIED, OR DISTRIBUTED WITHOUT WRITTEN PERMISSION OF AN OFFICER (OR HIS AGENT) OF THE FIRM.</small>		TITLE: ASM TK 250 EXCAL2 NAT ORB 1.35 EPDM NUN	REVISION: A SHEET 1 OF 1
(402) 467-5221 www.snydernet.com		PART NO. 6520019B96002	ENG. ID. D011683