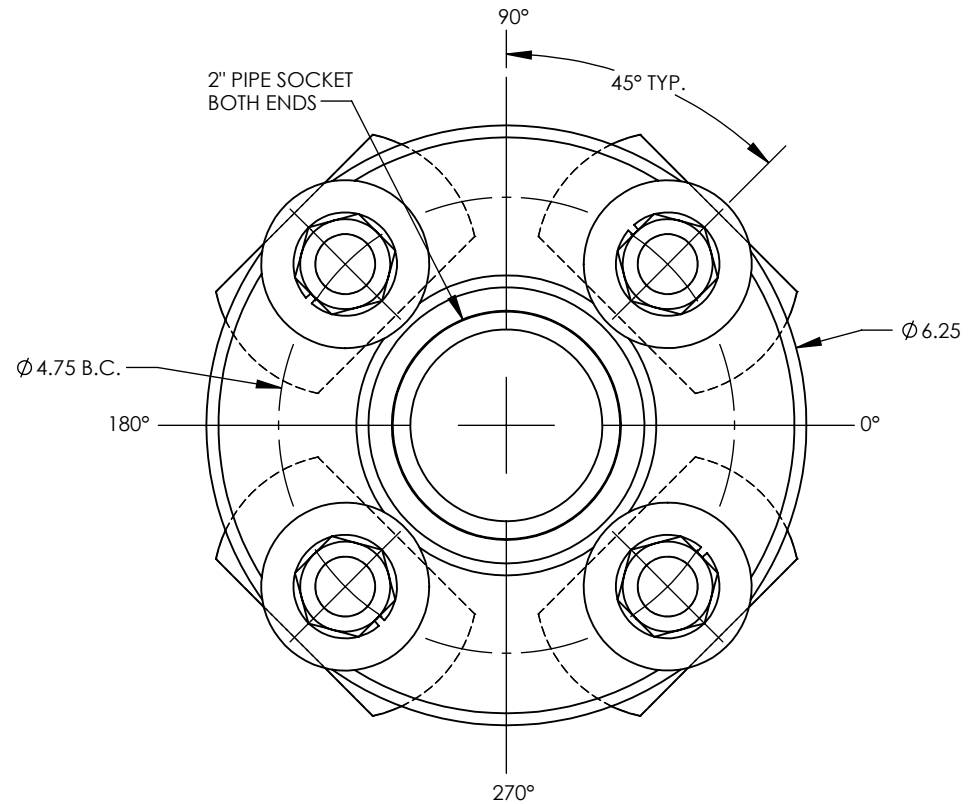
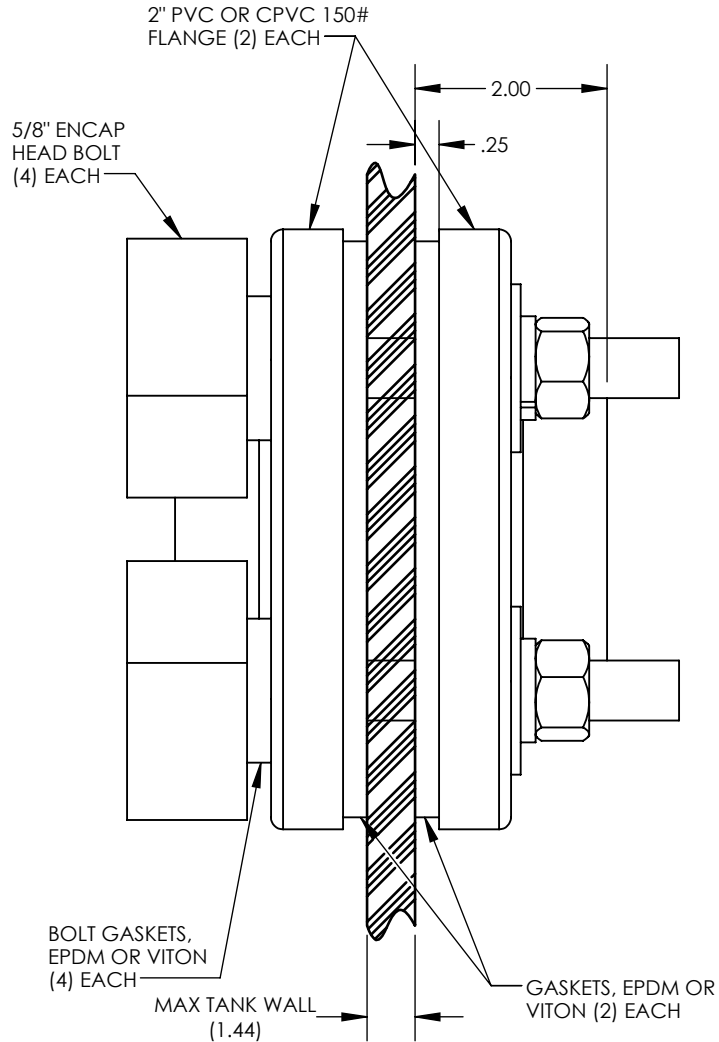


FITTING PART NUMBER	FLANGE MATERIAL	GASKET MATERIAL	HARDWARE MATERIAL
34700221	PVC	EPDM	SS
34700222	PVC	VITON	SS
34700658	PVC	EPDM	HASTELLOY
34700659	PVC	VITON	HASTELLOY
34700686	PVC	EPDM	TITANIUM
34700687	PVC	VITON	TITANIUM
34700758	CPVC	EPDM	SS
34700759	CPVC	VITON	SS
34700886	CPVC	VITON	HASTELLOY
34700891	CPVC	VITON	TITANIUM



ALL DIMENSIONS ARE IN INCHES, NOMINAL, & SUBJECT TO CHANGE WITHOUT NOTICE.  
ALL DIMENSIONS ON ROTATIONAL MOLDED PARTS ARE SUBJECT TO A ± 3% TOLERANCE.

DO NOT SCALE	DRAWN BY		TITLE:	REVISION
STATUS: <b>Released</b>	IGG		<b>2IN DOUBLE FLANGED PVC/CPVC BOLTED FITTINGS</b>	<b>A</b>
© SNYDER INDUSTRIES, LLC, 2021			PART NO.	SHEET
ALL DIMENSIONS, DESIGNS, AND INFORMATION ON THIS PRINT MUST BE CONSIDERED PROPRIETARY TO SNYDER INDUSTRIES, LLC, AND MAY NOT BE USED, COPIED, OR DISTRIBUTED WITHOUT WRITTEN PERMISSION OF AN OFFICER (OR HIS AGENT) OF THE FIRM.		(402) 467-5221 www.snyderinet.com	<b>SEE CHART</b>	1 OF 1
			ENG. ID.	<b>D011329</b>