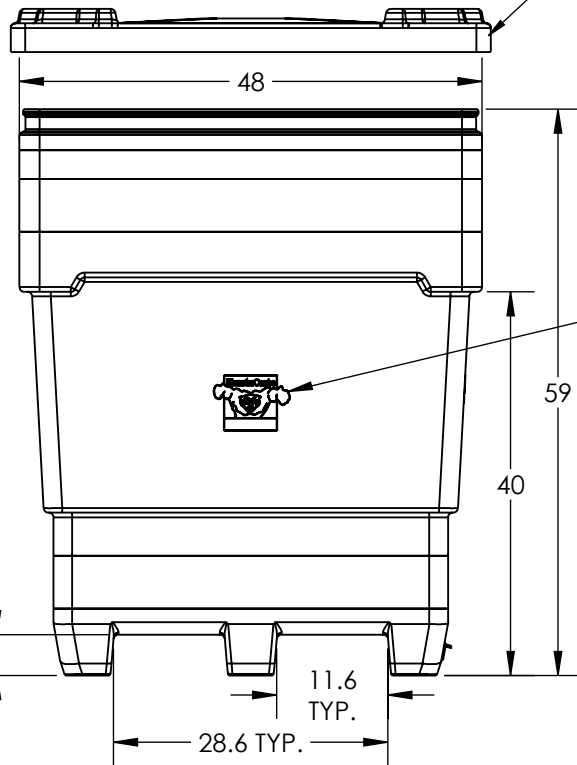


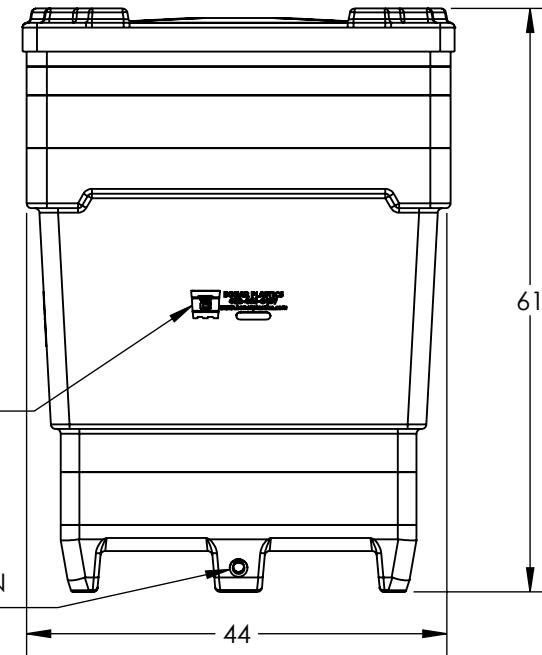
OPTIONAL LID SHOWN
(1017100M)



MOLDED-IN
MONSTER COMBO
LOGO [1 LONG SIDE]

CUSTOMIZABLE LOGO PLATE
[SHORT SIDE]

OPTIONAL DRAIN SHOWN
(34500102)



4.2
TYP.

11.6
TYP.

28.6 TYP.

ALL DIMENSIONS ARE IN INCHES, NOMINAL, & SUBJECT TO CHANGE WITHOUT NOTICE.
ALL DIMENSIONS ON ROTATIONAL MOLDED PARTS ARE SUBJECT TO A \pm 3% TOLERANCE.

DO NOT SCALE		DRAWN BY	 A BRAND OF TANK HOLDING CORP. 1005 Atlantic Drive West Chicago, IL 60185 (630)293-0303 www.bonarplastics.com	TITLE:	BIN 2759 MONSTER CMBO 4WY MLD WD WLID	REVISION	
STATUS:	Released	IGG		B SHEET 1 OF 1			
© TANK HOLDING, CORP, 2023				PART NO.	1037000M	ENG. ID.	D010488
<small>ALL DIMENSIONS, DESIGNS, AND INFORMATION ON THIS PRINT MUST BE CONSIDERED PROPRIETARY TO TANK HOLDING, CORP. AND MAY NOT BE USED, COPIED, OR DISTRIBUTED WITHOUT WRITTEN PERMISSION OF AN OFFICER (OR HIS AGENT) OF THE FIRM.</small>							