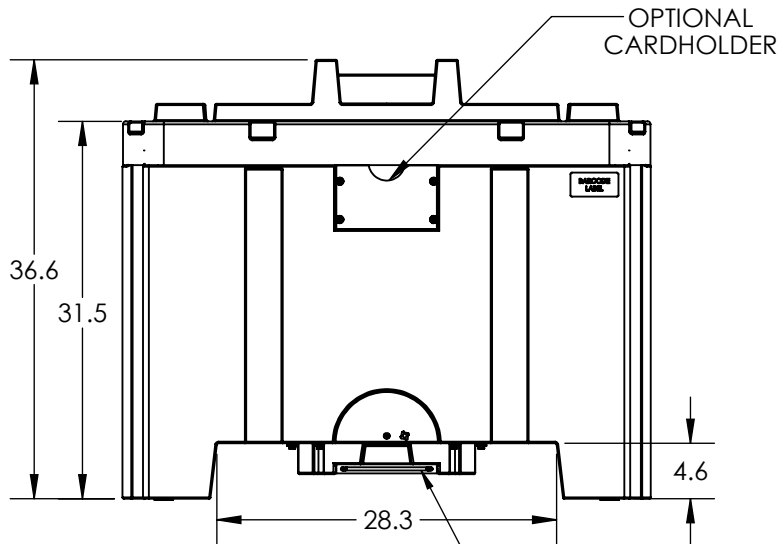
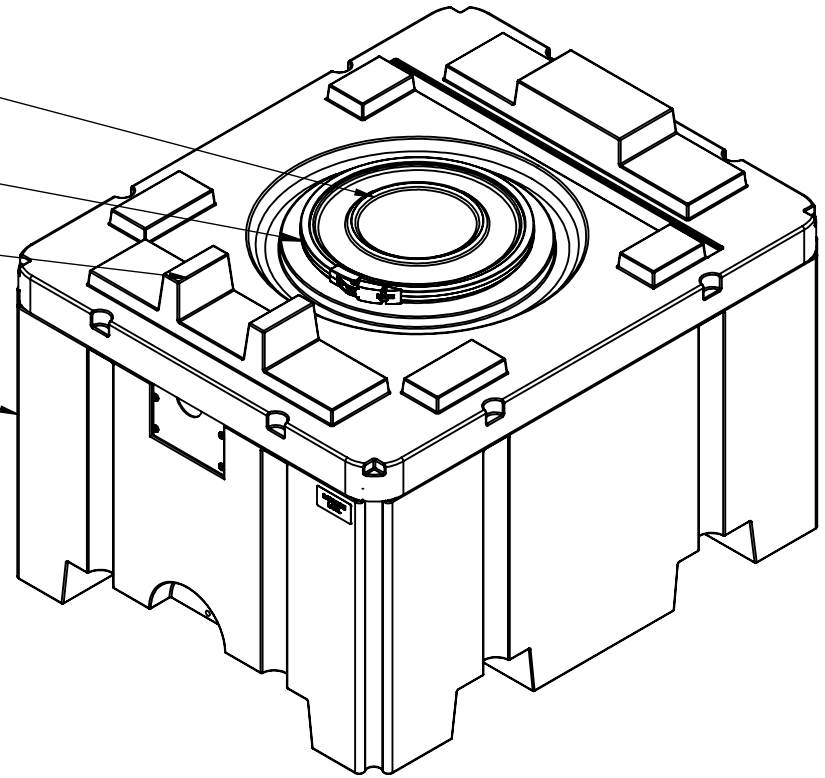


DUST COVER ONLY
DRAWING

PLASTIC LOCK RING

COVER ONLY
DRAWING

HOPPER BODY ONLY
DRAWING



SLIDEGATE ONLY
DRAWING

10	4	35200219	SCREW 10-24 X 5/16IN MACH PHIL PAN SS
9	6	35200158	1/4-20 X 3/4" LONG MACHINE SCREW, SS
8	1	35902449	CARD HOLDER MPH30
7	1	34702036	HARDWARE KIT MPH30 ADAPTER
6	1	35902753	SLIDEGATE 6IN MPH30
5	1	36300016	LOCK RING PLASTIC 20/30 - 18.5 LOCK BAND
4	1	33753	LID 20/30 LL ROTO
3	1	33530	ADAPTER 6IN MPH30
2	1	6393700M__01	COVER MPH30 HOPPER
1	1	6376800M__01	HPR MPH30

ITEM NO.	QTY.	PART NUMBER	DESCRIPTION
DO NOT SCALE		DRAWN BY	REVISION
STATUS: Released		SB	A
© SNYDER INDUSTRIES, LLC, 2019			TITLE: ASM HPR MPH30 W/MOD-SLGT
ALL DIMENSIONS, DESIGNS, AND INFORMATION ON THIS PRINT MUST BE CONSIDERED PROPRIETARY TO SNYDER INDUSTRIES, LLC, AND MAY NOT BE USED, COPIED, OR DISTRIBUTED WITHOUT WRITTEN PERMISSION OF AN OFFICER (OR HIS AGENT) OF THE FIRM.			PART NO. 6376800M__02 ENG. ID. D009971
		(402) 467-5221 www.snyderinet.com	SHEET 1 OF 1

ALL DIMENSIONS ARE IN INCHES, NOMINAL, & SUBJECT TO CHANGE WITHOUT NOTICE.
ALL DIMENSIONS ON ROTATIONAL MOLDED PARTS ARE SUBJECT TO A ± 3% TOLERANCE.