

**STANDARD OPEN TOP VAT SIZES - 42" X 48"**

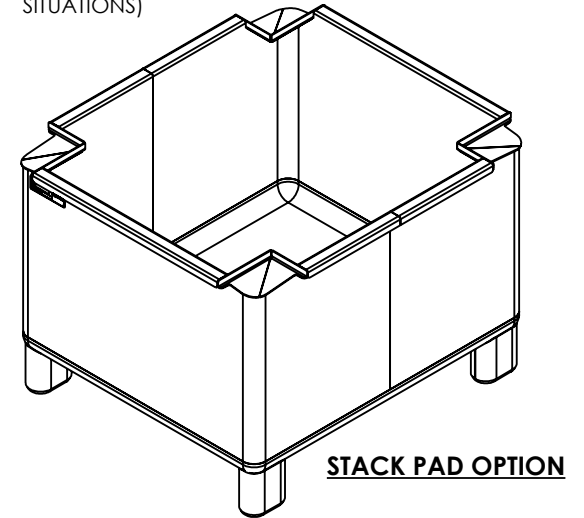
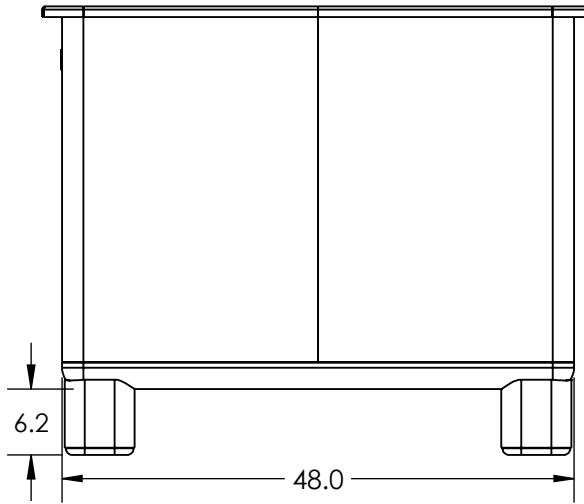
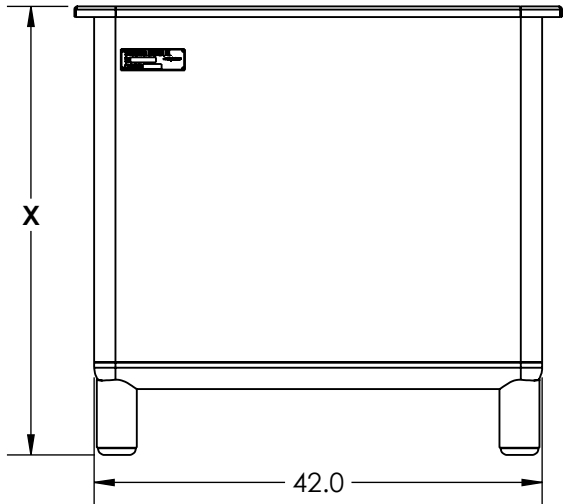
BASE		
VOLUME	G	APPROX. OAH DIM "X"
20 CF	153 G	24.2"
27 CF	205 G	30.2"
34 CF	256 G	36.2"
41 CF	308 G	42.2"
49 CF	411 G	54.2"
68 CF	515 G	66.2"

**STANDARD FEATURES:**

1. SHELL & HEAD CONSTRUCTION OF 10 GA 304SS MATERIAL.
2. ALL WELDS ARE CONTINUOUS & CLEANED OF SLAG & SPATTER.
3. INTERNAL WELDS ARE GROUND SMOOTH TO A 150 GRIT FINISH.
4. FOOT HOLES WELDED SHUT WITH WATER TIGHT WELD & GROUND FLUSH.
5. STANDARD TANKS WILL NOT STACK.

**AVAILABLE OPTIONS:**

6. ALTERNATE MATERIALS OF CONSTRUCTION & FINISHES.
7. CUSTOM SIZES/CAPACITIES.
8. MULTIPLE FITTINGS TYPES & SIZES.
9. STACKING PAD ASSEMBLY. (CAN BE USED IN SANITARY SITUATIONS)



**ALL DIMENSIONS ARE IN INCHES, NOMINAL, & SUBJECT TO CHANGE WITHOUT NOTICE. ALL DIMENSIONS ON ROTATIONAL MOLDED PARTS ARE SUBJECT TO A ± 3% TOLERANCE.**

DO NOT SCALE		DRAWN BY	TITLE:		REVISION
STATUS:	<b>Released</b>	KB	<b>OPEN TOP VAT W/ TOP LIP ALL 10GA 304SS</b>		<b>C</b>
© SNYDER INDUSTRIES, LLC, 2021			PART NO.		SHEET
<small>ALL DIMENSIONS, DESIGNS, AND INFORMATION ON THIS PRINT MUST BE CONSIDERED PROPRIETARY TO SNYDER INDUSTRIES, LLC, AND MAY NOT BE USED, COPIED, OR DISTRIBUTED WITHOUT WRITTEN PERMISSION OF AN OFFICER (OR HIS AGENT) OF THE FIRM.</small>			 1005 Atlantic Drive West Chicago, IL 60185 (630)293-0303 <a href="http://www.bonarplastics.com">www.bonarplastics.com</a>		1 OF 1
			ENG. ID.		<b>D009561</b>