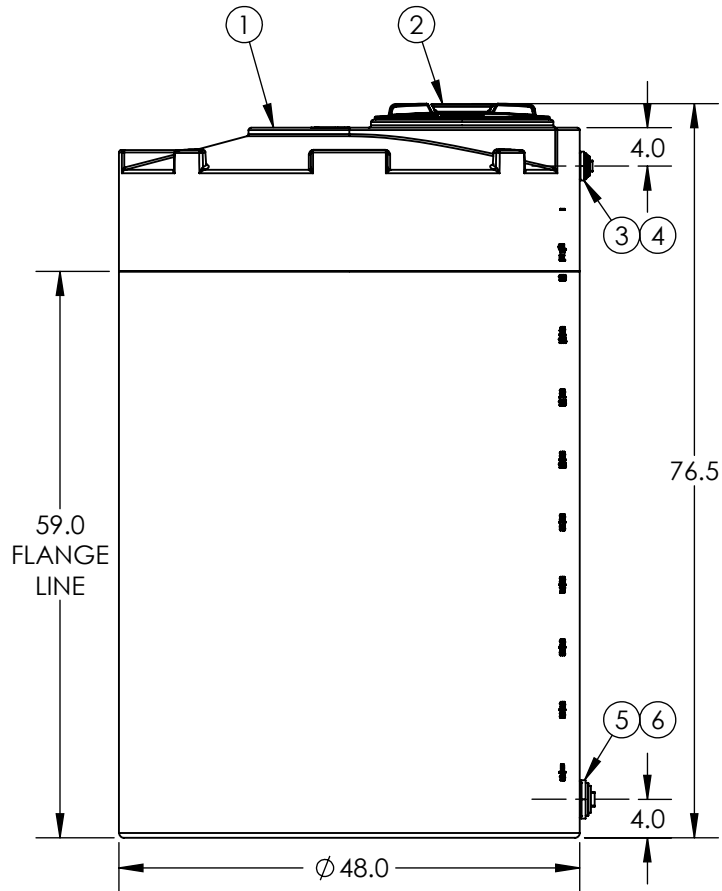
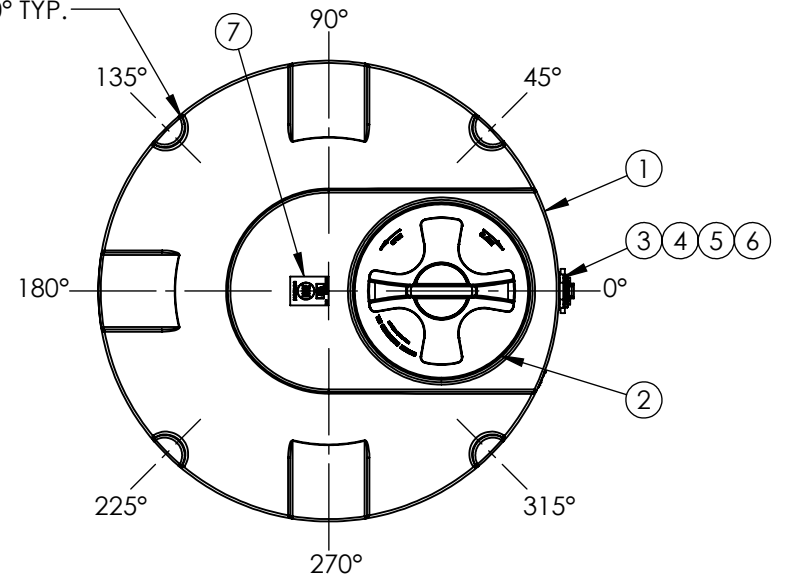


BLACK OR DARK OLIVE GREEN



TIEDOWN 4 PLCS.
90° TYP.



7	1	99700231	DECAL NSF MARK - WATER TKS
6	1	60021	2" NPT PLUG
5	1	60405	FTG PP 2IN BH EPDM TXT
4	1	64149	1-1/2" NPT PLUG
3	1	63931	FTG PP 1-1/2IN ECO-BH EPDM TXT
2	1	34700087	ASM MANWAY 18IN PE W/4IN VENT W/TIE SII
1	1	1800500W__02	ASM TK 550VCT X 48 WATER NH NOMW

ITEM NO.	QTY.	PART NUMBER	DESCRIPTION	
DO NOT SCALE		DRAWN BY	REVISION	
STATUS: Released		IGG	A	
© SNYDER INDUSTRIES, INC., 2018			SHEET 1 OF 1	
ALL DIMENSIONS, DESIGNS, AND INFORMATION ON THIS PRINT MUST BE CONSIDERED PROPRIETARY TO SNYDER INDUSTRIES, INC. AND MAY NOT BE USED, COPIED, OR DISTRIBUTED WITHOUT WRITTEN PERMISSION OF AN OFFICER (OR HIS AGENT) OF THE FIRM.			TITLE: ASM TK 550VCT X 48 WATER	
www.snydernet.com			PART NO. 1800500W__03	ENG. ID. D009156

*ALL EXTERNAL PIPING MUST BE INDEPENDENTLY SUPPORTED.
 *ONLY BASE FITTINGS TO BE LEFT INSTALLED AT TIME OF SHIPMENT PER SII PROCEDURE.
 ALL DIMENSIONS ARE IN INCHES, NOMINAL, & SUBJECT TO CHANGE WITHOUT NOTICE.
 ALL DIMENSIONS ON ROTATIONAL MOLDED PARTS ARE SUBJECT TO A ± 3% TOLERANCE.