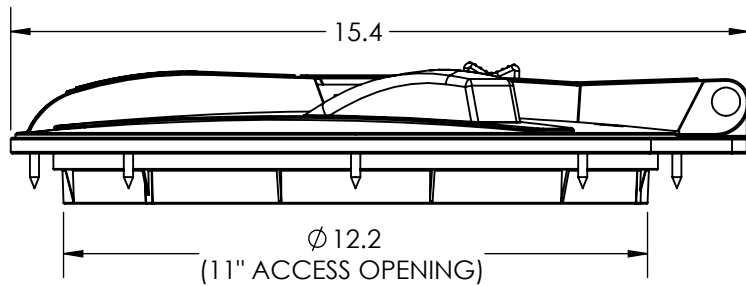
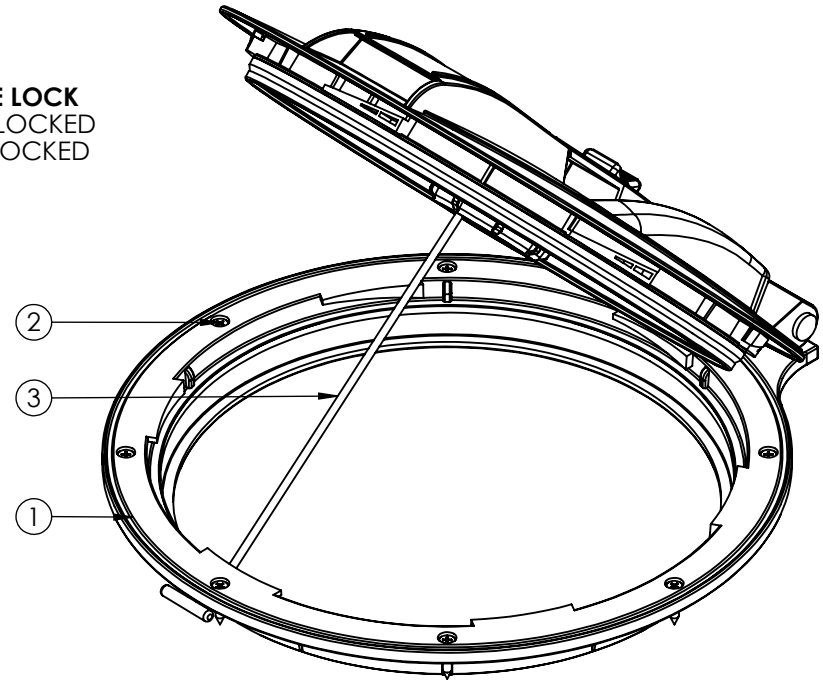


TOGGLE LOCK
LEFT - UNLOCKED
RIGHT - LOCKED



④ NOT SHOWN

4	1	34100085	TIE PP CABLE BLACK TYTON #T50IOPP
3	1	34500008	TIE LID POLYURETHANE
2	8	35200018	SCREW SS #10 X 1IN CSUNK PHIL ST
1	1	34100193	MANWAY HINGED PP 14IN W/LOCK

ITEM NO.	QTY.	PART NUMBER	DESCRIPTION
DO NOT SCALE		DRAWN BY	REVISION
STATUS: Released		SB	A
© SNYDER INDUSTRIES, INC., 2018			ASM PP 14IN WEIGHTED HINGED VENT MANWAY
<small>ALL DIMENSIONS, DESIGNS, AND INFORMATION ON THIS PRINT MUST BE CONSIDERED PROPRIETARY TO SNYDER INDUSTRIES, INC. AND MAY NOT BE USED, COPIED, OR DISTRIBUTED WITHOUT WRITTEN PERMISSION OF AN OFFICER (OR HIS AGENT) OF THE FIRM.</small>			
		(402) 467-5221 www.snydernet.com	PART NO. 34700649 ENG. ID. D008996
			SHEET 1 OF 1

ALL DIMENSIONS ARE IN INCHES, NOMINAL, & SUBJECT TO CHANGE WITHOUT NOTICE.
ALL DIMENSIONS ON ROTATIONAL MOLDED PARTS ARE SUBJECT TO A ± 3% TOLERANCE.