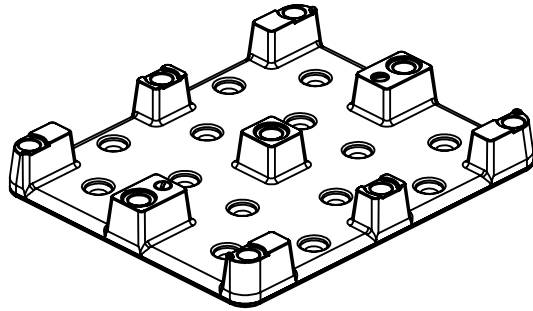
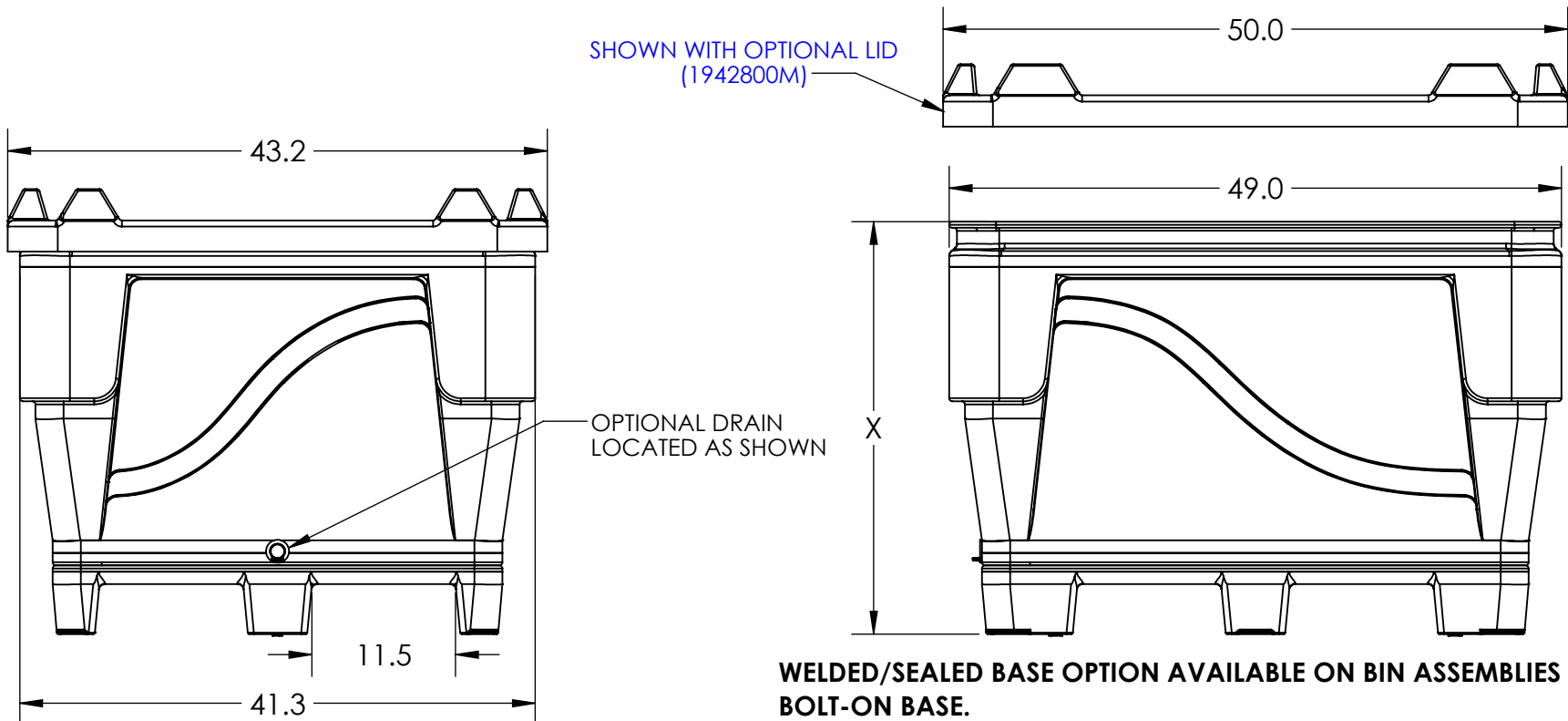


4WY ARMOR BASE (1949800M)



| HEIGHT | PART NUMBER | DRAWING                 |
|--------|-------------|-------------------------|
| X=33"  | 1948500M    | <a href="#">D007111</a> |
| X=36"  | 1948600M    | <a href="#">D007109</a> |
| X=39"  | 1948700M    | <a href="#">D007112</a> |
| X=42"  | 1948800M    | <a href="#">D007113</a> |
| X=45"  | 1948900M    | <a href="#">D007114</a> |
| X=48"  | 1949000M    | <a href="#">D007115</a> |
| X=51"  | 1949100M    | <a href="#">D007116</a> |
| X=54"  | 1949200M    | <a href="#">D007117</a> |
| X=56"  | 1949300M    | <a href="#">D007118</a> |
| X=59"  | 1949400M    | <a href="#">D007119</a> |
| X=62"  | 1949500M    | <a href="#">D007120</a> |



**WELDED/SEALED BASE OPTION AVAILABLE ON BIN ASSEMBLIES W/ BOLT-ON BASE.**

ALL DIMENSIONS ARE IN INCHES, NOMINAL, & SUBJECT TO CHANGE WITHOUT NOTICE.  
ALL DIMENSIONS ON ROTATIONAL MOLDED PARTS ARE SUBJECT TO A ± 3% TOLERANCE.

|                                |          |          |  |          |                        |          |        |
|--------------------------------|----------|----------|--|----------|------------------------|----------|--------|
| DO NOT SCALE                   |          | DRAWN BY | BONAR PLASTICS<br>WWW.BONARPLASTICS.COM                        | TITLE:   | 7000 SERIES ARMOR BINS | REVISION | A      |
| STATUS:                        | Released | TJK      | 1005 Atlantic Drive<br>West Chicago, IL 60185<br>(630)293-0303 | PART NO. |                        | SHEET    | 1 OF 1 |
| © SNYDER INDUSTRIES INC., 2017 |          |          | www.bonarplastics.com  | ENG. ID. | D007289                |          |        |