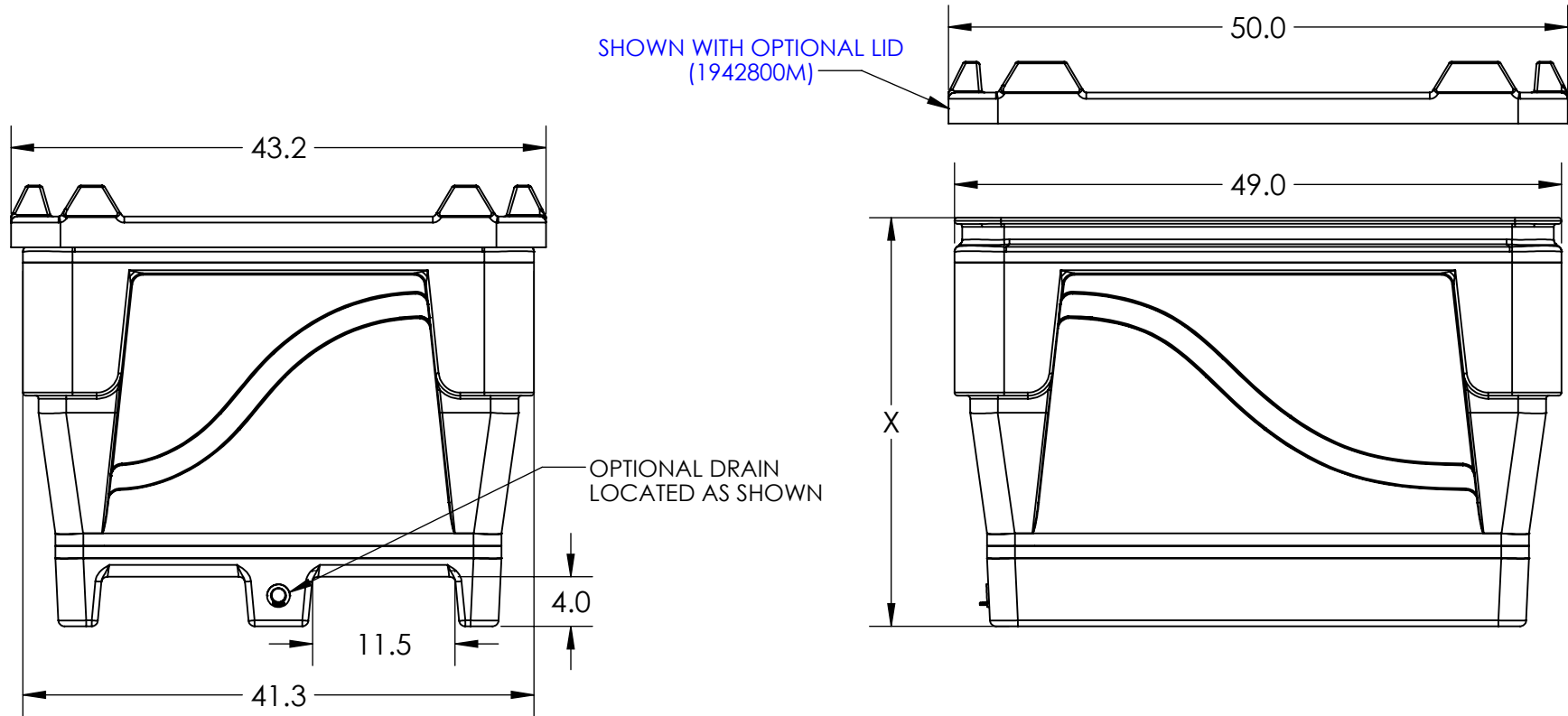


HEIGHT	PART NUMBER	DRAWING
X=33"	1946300M	D007086
X=36"	1946400M	D007013
X=39"	1946500M	D007087
X=42"	1946600M	D007088
X=45"	1946700M	D007089
X=48"	1946800M	D007090
X=51"	1946900M	D007091
X=54"	1947000M	D007093
X=56"	1947100M	D007094
X=59"	1947200M	D007095
X=62"	1947300M	D007028



ALL DIMENSIONS ARE IN INCHES, NOMINAL, & SUBJECT TO CHANGE WITHOUT NOTICE.
 ALL DIMENSIONS ON ROTATIONAL MOLDED PARTS ARE SUBJECT TO A ± 3% TOLERANCE.

DO NOT SCALE		DRAWN BY	BONAR PLASTICS WWW.BONARPLASTICS.COM		REVISION
STATUS:	Released	TJK	1005 Atlantic Drive West Chicago, IL 60185 (630)293-0303 www.bonarplastics.com		A
© SNYDER INDUSTRIES INC., 2017			TITLE: 5000 SERIES ARMOR BINS		SHEET
ALL DIMENSIONS, DESIGNS, AND INFORMATION ON THIS PRINT MUST BE CONSIDERED PROPRIETARY TO SNYDER INDUSTRIES, INC. AND MAY NOT BE USED, COPIED, OR DISTRIBUTED WITHOUT WRITTEN PERMISSION OF AN OFFICER (OR HIS AGENT) OF THE FIRM.			PART NO.	ENG. ID.	1 OF 1
			D007286		