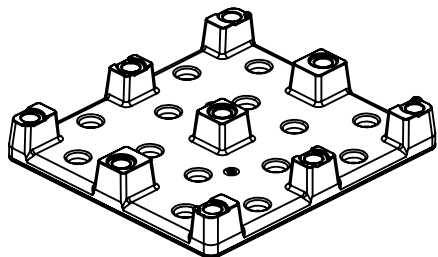
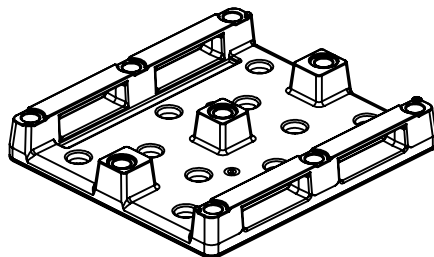


4WY ARMOR BASE (1949600M)

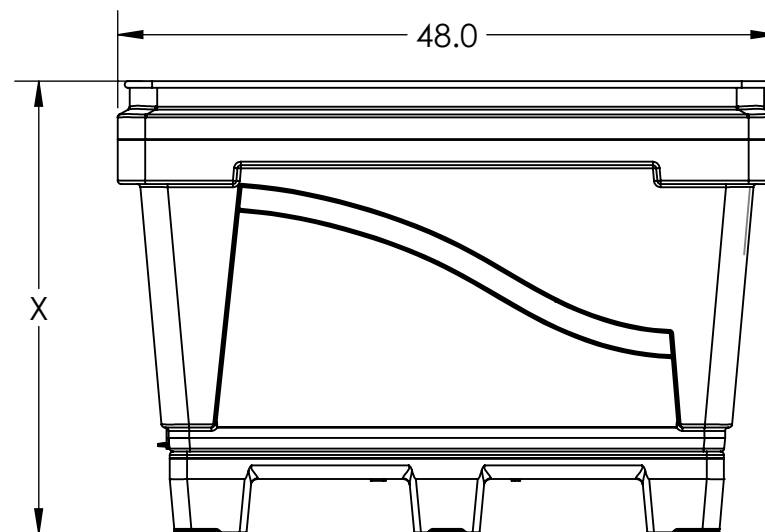
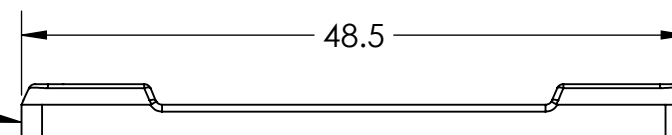
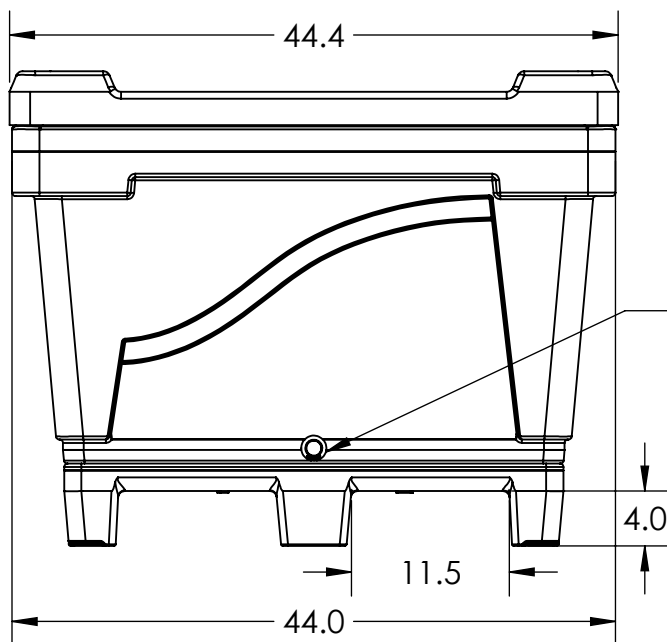


RO ARMOR BASE (1949700M)



HEIGHT	PART NUMBER	DRAWING
X=33"	1945200M	D007204
X=36"	1945300M	D007009
X=39"	1945400M	D007023
X=42"	1945500M	D007271
X=45"	1945600M	D007272
X=48"	1945700M	D007273
X=51"	1945800M	D007276
X=54"	1945900M	D007277
X=56"	1946000M	D007280
X=59"	1946100M	D007281
X=62"	1946200M	D007282

SHOWN WITH OPTIONAL LID (1942900M)



WELDED/SEALED BASE OPTION AVAILABLE ON BIN ASSEMBLIES W/ BOLT-ON BASE.

ALL DIMENSIONS ARE IN INCHES, NOMINAL, & SUBJECT TO CHANGE WITHOUT NOTICE. ALL DIMENSIONS ON ROTATIONAL MOLDED PARTS ARE SUBJECT TO A ± 3% TOLERANCE.

DO NOT SCALE		DRAWN BY	 www.bonarplastics.com	TITLE: 3000/4000 SERIES ARMOR BINS	REVISION
STATUS:	Released	TJK			SHEET 1 OF 1
© SNYDER INDUSTRIES INC., 2017		1005 Atlantic Drive West Chicago, IL 60185 (630)293-0303 www.bonarplastics.com		PART NO.	ENG. ID. D007285

ALL DIMENSIONS, DESIGNS, AND INFORMATION ON THIS PRINT MUST BE CONSIDERED PROPRIETARY TO SNYDER INDUSTRIES, INC. AND MAY NOT BE USED, COPIED, OR DISTRIBUTED WITHOUT WRITTEN PERMISSION OF AN OFFICER (OR HIS AGENT) OF THE FIRM.