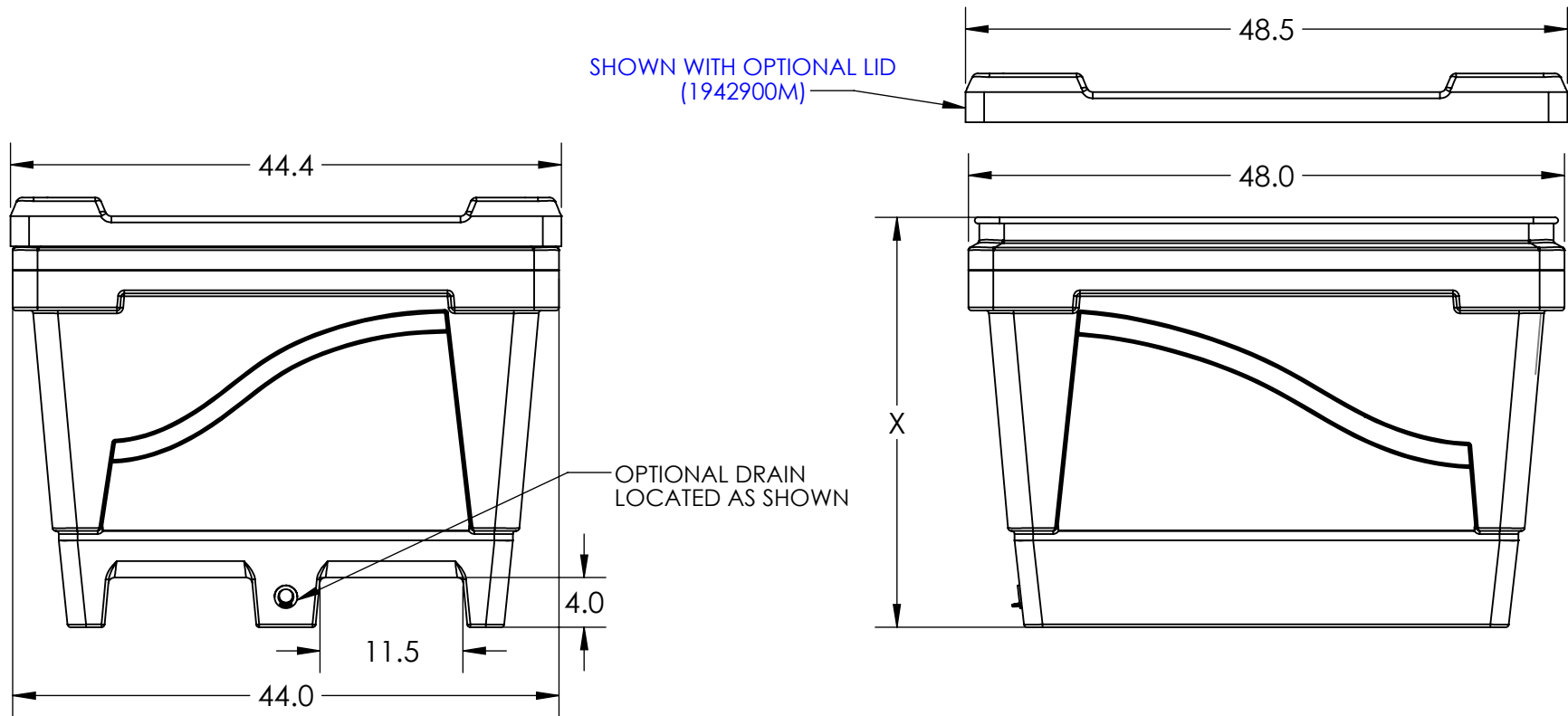


HEIGHT	PART NUMBER	DRAWING
X=33"	1944100M	D007191
X=36"	1944200M	D007193
X=39"	1944300M	D007192
X=42"	1944400M	D007194
X=45"	1944500M	D007195
X=48"	1944600M	D007196
X=51"	1944700M	D007197
X=54"	1944800M	D007198
X=56"	1944900M	D007199
X=59"	1945000M	D007200
X=62"	1945100M	D007202



ALL DIMENSIONS ARE IN INCHES, NOMINAL, & SUBJECT TO CHANGE WITHOUT NOTICE.
 ALL DIMENSIONS ON ROTATIONAL MOLDED PARTS ARE SUBJECT TO A \pm 3% TOLERANCE.

DO NOT SCALE		DRAWN BY	 1005 Atlantic Drive West Chicago, IL 60185 (630)293-0303 www.bonarplastics.com	TITLE:	2000 SERIES ARMOR BINS	REVISION
STATUS:	Released	TJK		PART NO.		ENG. ID.
© SNYDER INDUSTRIES INC., 2017						D007284