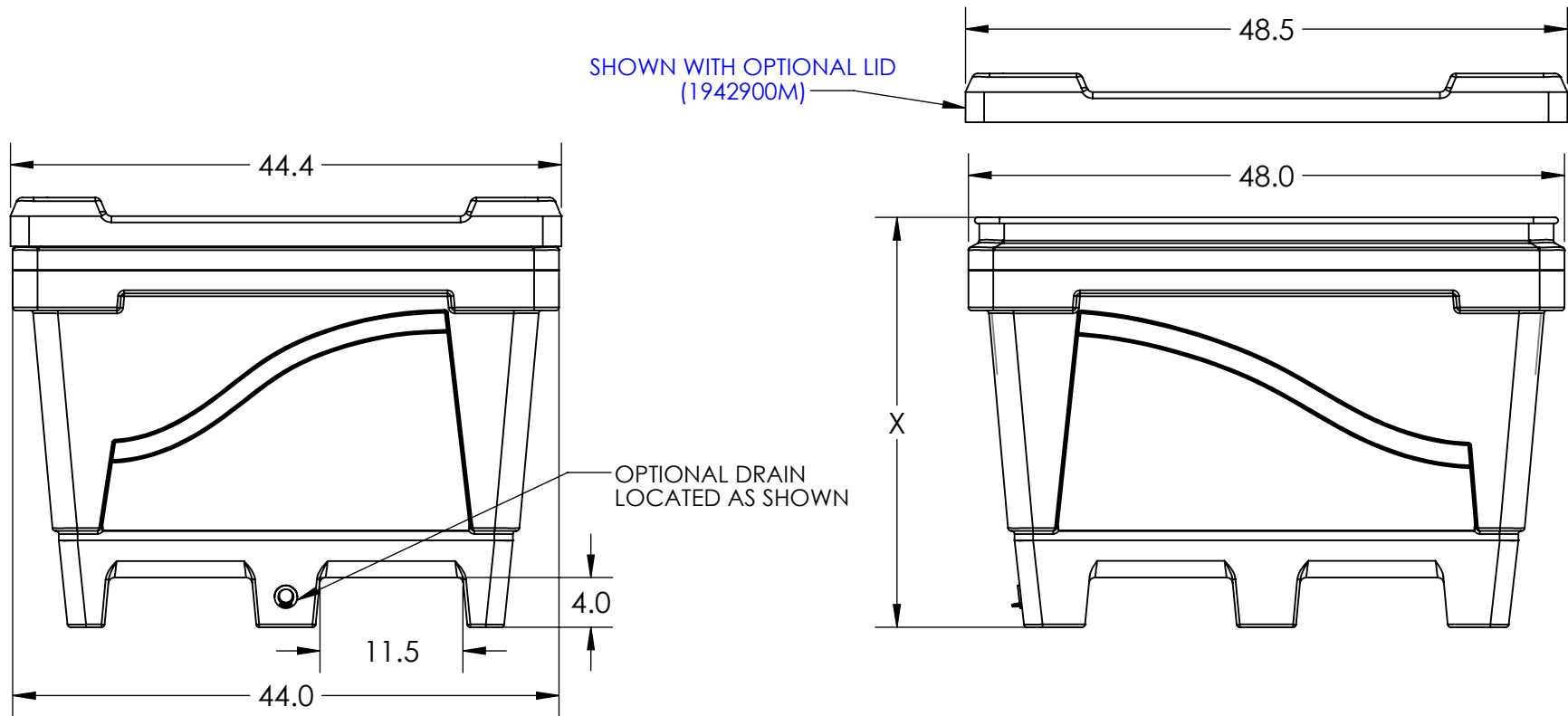


HEIGHT	PART NUMBER	DRAWING
X=33"	1943000M	D007169
X=36"	1943100M	D007168
X=39"	1943200M	D007167
X=42"	1943300M	D007180
X=45"	1943400M	D007182
X=48"	1943500M	D007183
X=51"	1943600M	D007185
X=54"	1943700M	D007186
X=56"	1943800M	D007187
X=59"	1943900M	D007189
X=62"	1944000M	D007190



ALL DIMENSIONS ARE IN INCHES, NOMINAL, & SUBJECT TO CHANGE WITHOUT NOTICE.
 ALL DIMENSIONS ON ROTATIONAL MOLDED PARTS ARE SUBJECT TO A \pm 3% TOLERANCE.

DO NOT SCALE		DRAWN BY	BONAR PLASTICS WWW.BONARPLASTICS.COM	TITLE:	1000 SERIES ARMOR BINS	REVISION
STATUS:	Released	TJK	1005 Atlantic Drive West Chicago, IL 60185 (630)293-0303	PART NO.		SHEET 1 OF 1
© SNYDER INDUSTRIES INC., 2017			www.bonarplastics.com	ENG. ID.	D007283	
ALL DIMENSIONS, DESIGNS, AND INFORMATION ON THIS PRINT MUST BE CONSIDERED PROPRIETARY TO SNYDER INDUSTRIES, INC. AND MAY NOT BE USED, COPIED, OR DISTRIBUTED WITHOUT WRITTEN PERMISSION OF AN OFFICER (OR HIS AGENT) OF THE FIRM.						