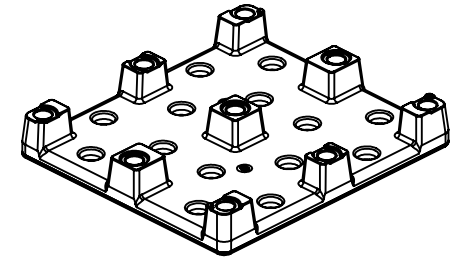
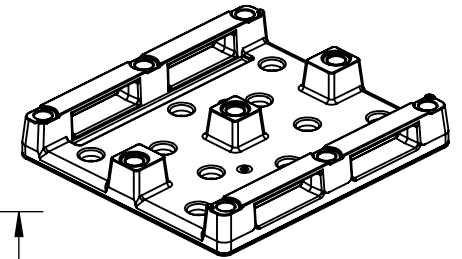


4WY ARMOR BASE (1949600M)

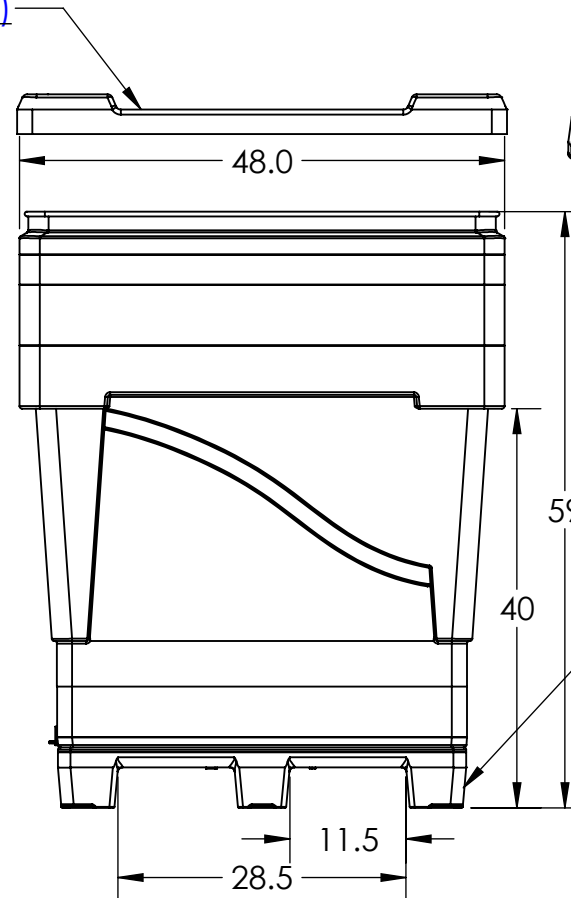
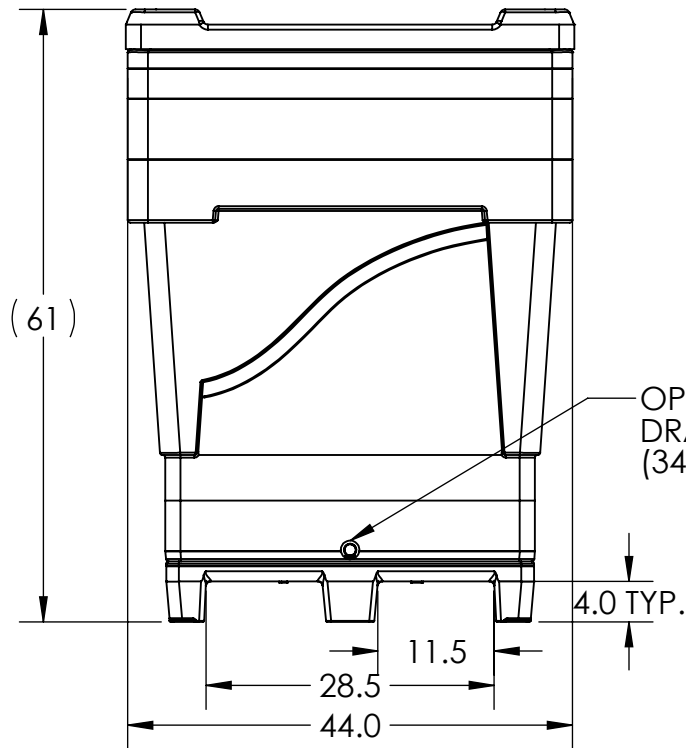


4WY BASE MAKES: 3059 ARMOR BIN
RO BASE MAKES: 4059 ARMOR BIN

RO ARMOR BASE (1949700M)



OPTIONAL LID SHOWN (1942900M)



SHOWN WITH THE 4WY BASE

ALL DIMENSIONS ARE IN INCHES, NOMINAL, & SUBJECT TO CHANGE WITHOUT NOTICE.
ALL DIMENSIONS ON ROTATIONAL MOLDED PARTS ARE SUBJECT TO A \pm 3% TOLERANCE.

DO NOT SCALE		DRAWN BY	BONAR PLASTICS	TITLE:	REVISION
STATUS:	Released	TJK	www.bonarplastics.com	BIN 59TALL ARMOR	SHEET
© SNYDER INDUSTRIES INC., 2017			1005 Atlantic Drive West Chicago, IL 60185 (630)293-0303	PART NO.	1 OF 1
ALL DIMENSIONS, DESIGNS, AND INFORMATION ON THIS PRINT MUST BE CONSIDERED PROPRIETARY TO SNYDER INDUSTRIES, INC. AND MAY NOT BE USED, COPIED, OR DISTRIBUTED WITHOUT WRITTEN PERMISSION OF AN OFFICER (OR HIS AGENT) OF THE FIRM.			www.bonarplastics.com	1946100M	ENG. ID. D007281